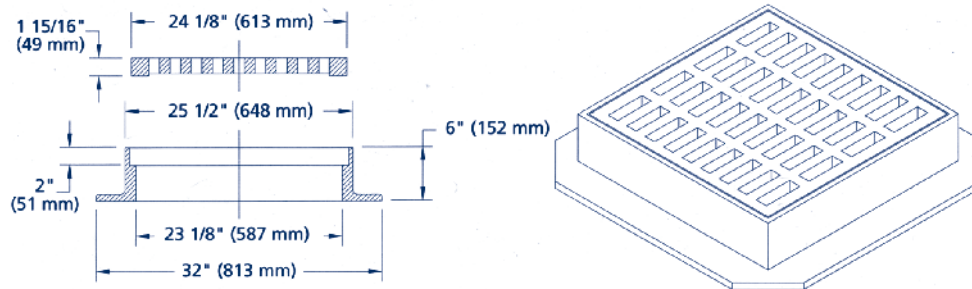


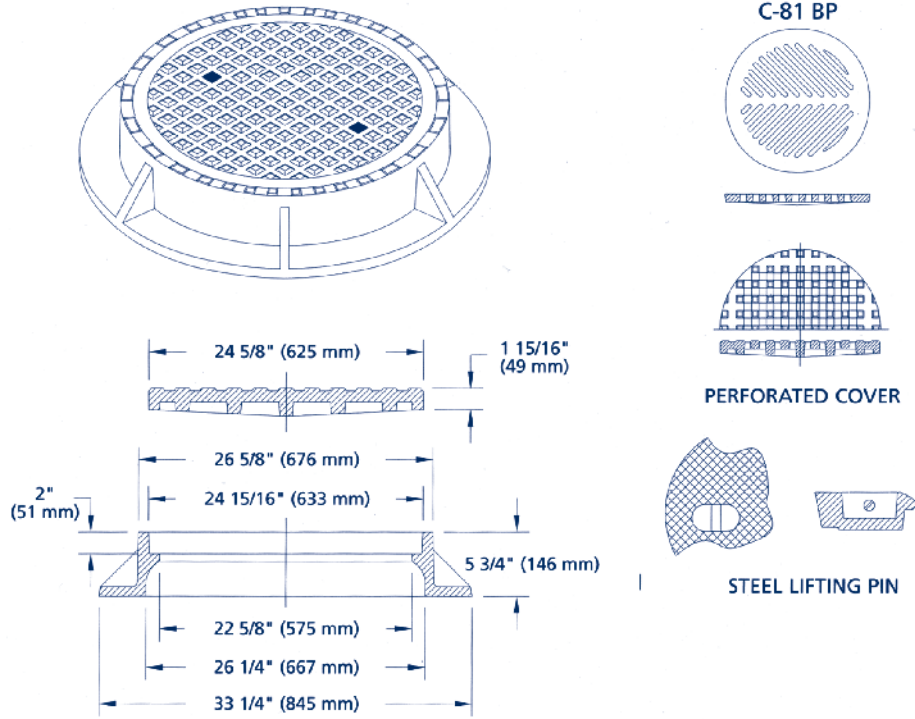
NEW BRUNSWICK STANDARD SQUARE



	MATERIAL	Lb.	Kg
FRAME	GREY IRON	235	107
GRATE	GREY IRON	175	80

FRAMES & COVERS
NEW BRUNSWICK

NEW BRUNSWICK STANDARD ROUND



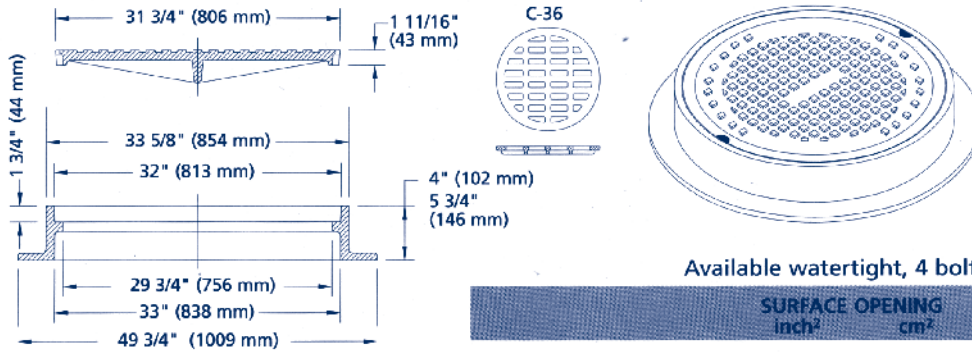
- Available watertight(4 bolts & gasket)
- Available gas-tight (8 bolts & gasket)
- Available with 3 bolts & lugs (locking)
- Available with lift pocket (JW 154 cover)

SURFACE OPENING
inch² cm²

	MATERIAL	LBS	KG
FRAME	GREY IRON	225	102
COVER	GREY IRON	165	75
PERFORATED COVER 62 HOLES 1" (25 mm)	GREY IRON	142	64
GRATE C-81 BP	GREY IRON	155	70

(APPROX.) WEIGHT

NEW BRUNSWICK - W403 (C-36)

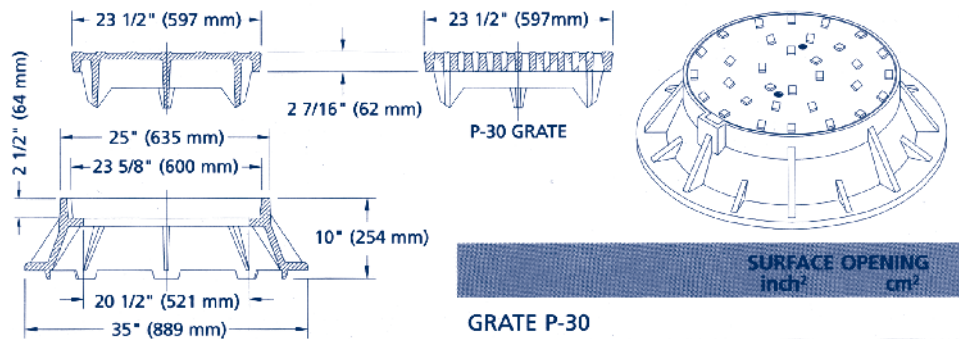


Available watertight, 4 bolts

	SURFACE OPENING	
	inch ²	cm ²
GRATE C-36	270	1742

	MATERIAL	LBS	KG
FRAME 4" (102 mm)	GREY IRON	208	95
FRAME 5 3/4" (146 mm)	GREY IRON	230	105
COVER	GREY IRON	230	105
GRATE	GREY IRON	200	91

C-38



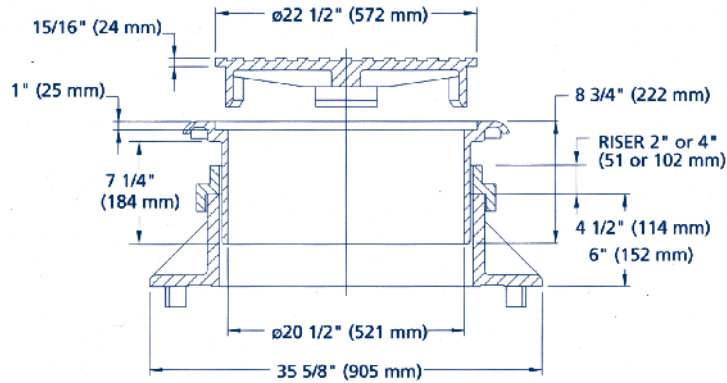
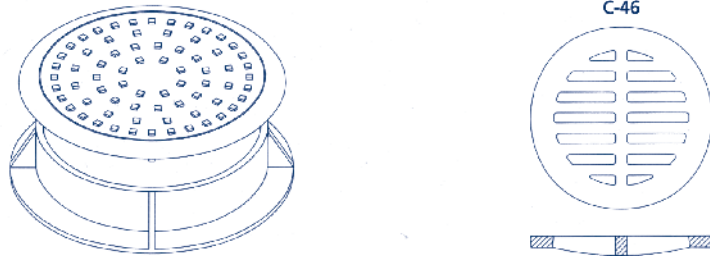
	SURFACE OPENING	
	inch ²	cm ²
GRATE P-30		

	MATERIAL	LBS	KG
FRAME	GREY IRON	205	93
COVER	GREY IRON	157	71
GRATE P-30	GREY IRON	185	84

(APPROX.) WEIGHT

NEW BRUNSWICK - (C-50)

IMPORTANT When in use the autostable frame should not rest on the guide frame, a 2" (51 mm) minimum space should be respected.



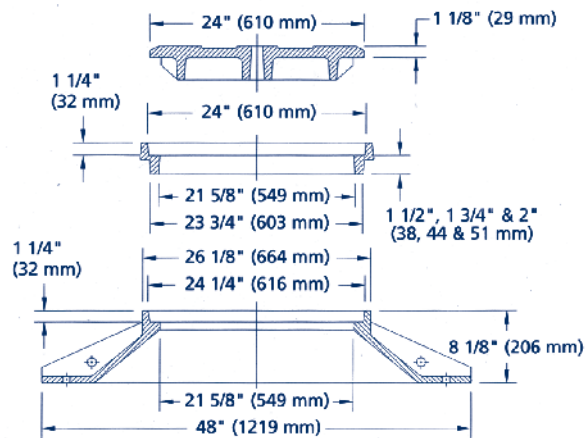
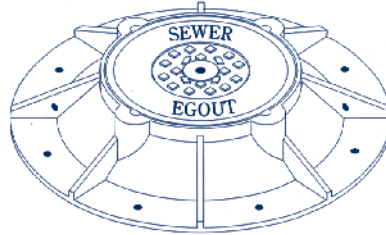
Guide frame riser
2" (51 mm) and 4" (102 mm)

GRATE C-46

	MATERIAL	SURFACE OPENING	
		inch ²	cm ²
GUIDE FRAME CONE SHAPE CG-22.5 4 1/2" (114 mm)	GREY IRON	140	64
GUIDE FRAME CONE SHAPE CG-22.5 6" (152 mm)	GREY IRON	160	73
FRAME	DUCTILE IRON	90	41
COVER C-46	DUCTILE IRON	120	55
GRATE C-46	DUCTILE IRON	120	55
RISER 2" (51 mm)	GREY IRON	35	16
RISER 4" (102 mm)	GREY IRON	75	34

(APPROX.) WEIGHT

NEW BRUNSWICK - W411



Available with 4 bolts

	MATERIAL	LBS	KG
FRAME	GREY IRON	440	200
COVER	GREY IRON	180	82
RISER 1 1/2" (38 mm)	GREY IRON	56	25
RISER 1 3/4" (44 mm)	GREY IRON	58	26
RISER 2" (51 mm)	GREY IRON	62	28

(APPROX.) WEIGHT