

T-Wall Headwall

Installation Guide



P.O. Box 2130, 1101 Hwy # 2, Lantz, NS, B2S 3G4
Tel: 902 883 2201, www.shawpipe.com

Table of Contents

1. General 2

2. Handling and Transportation 3

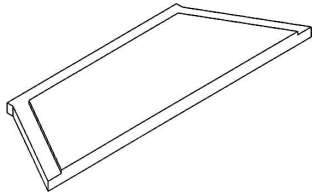
3. Construction and Installation..... 4

I. General

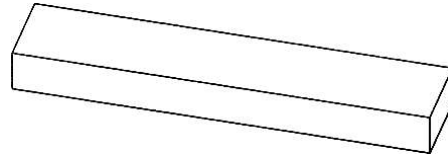
The T-Wall Headwall System is constructed from four components, when assembled in the correct order they will create a complete headwall system:

COMPONENTS

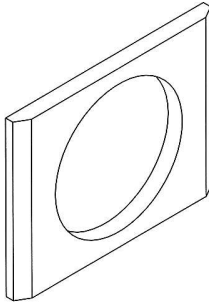
1) Apron Slab (1 Required)



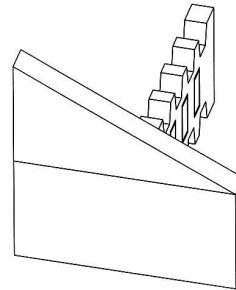
2) Levelling Pad (As Required)



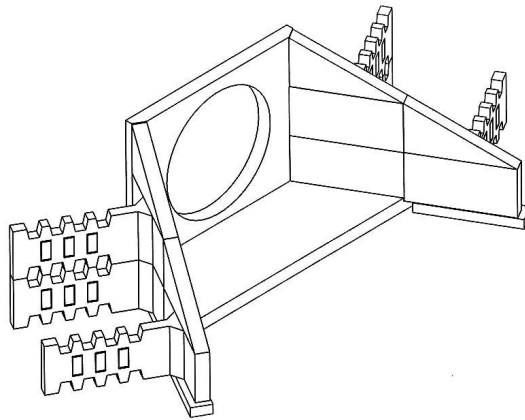
3) Headwall (1 Required)



4) T-WALL (As Required)

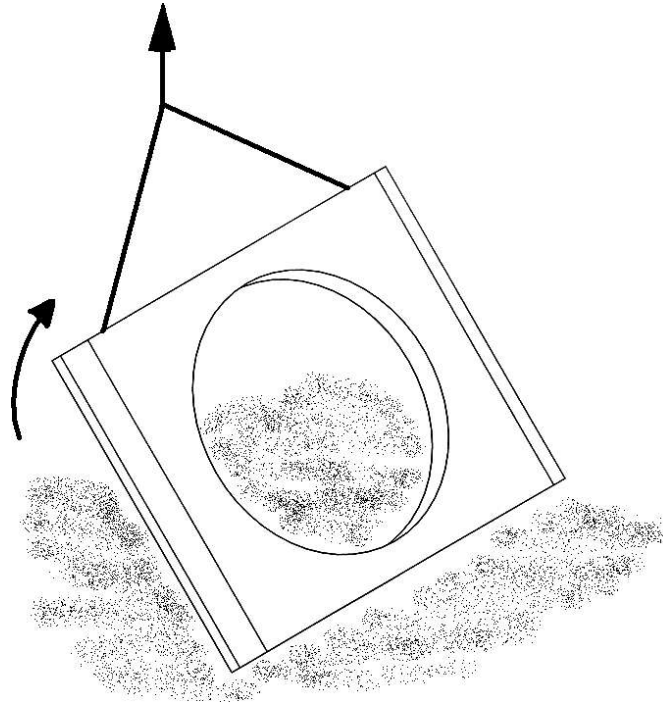


ASSEMBLED STRUCTURE



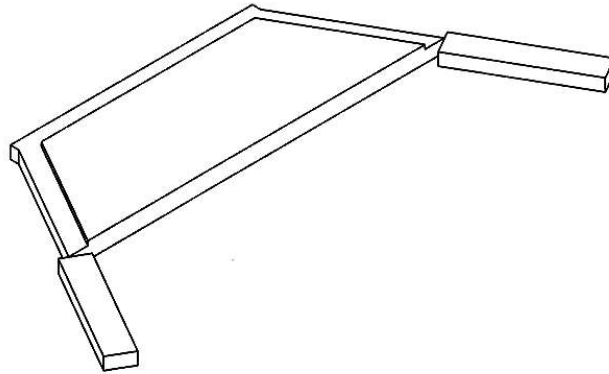
2. Handling and Transportation

Care must be exercised when handling and moving Pre-cast units. The Apron Slab, Levelling Pads and Headwall are equipped with "Cast in" 4 Ton Dayton/Richmond Swift Lift Anchors and the T-Wall has its own lifting device. The Apron Slab, Levelling Pads and Headwall are shipped flat, the Headwall is lifted from one end standing it up as it is removed from the truck.

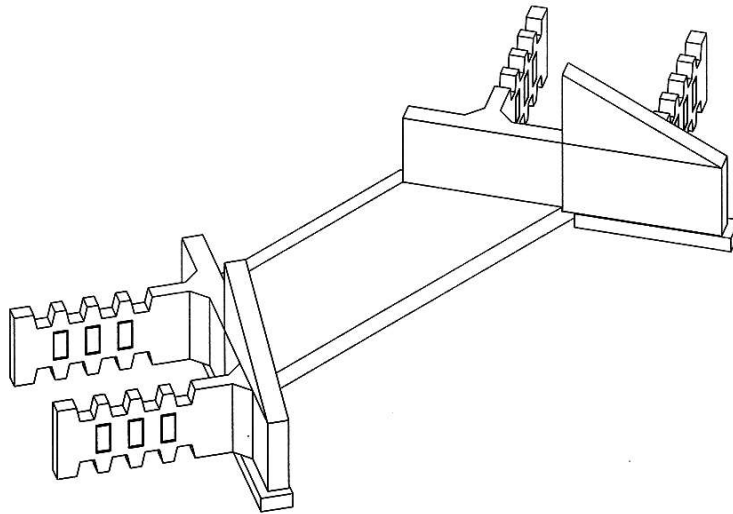


3. Construction and Installation

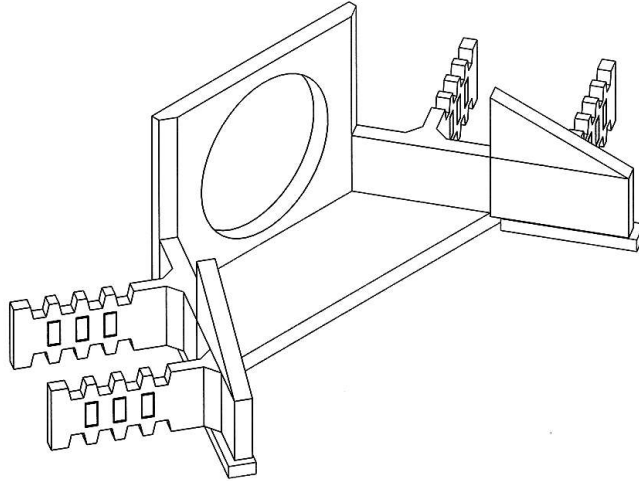
- The Apron Slab shall be placed on a 300mm thick bed of structural fill compacted to a minimum allowable bearing capacity of 100 kPa.
- The T-Wall pre-cast leveling pads are placed in their location with the top of the levelling pad at the same elevation as the recess in the Apron Slab.



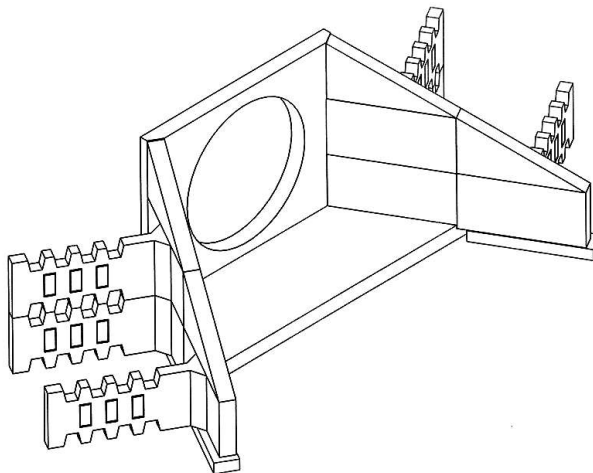
- 150mm wide fibre board is placed in the Apron Slab recess and on the T-Wall Levelling pad. This will eliminate the possibility of concrete spawl.
- The first course of T-Wall is installed following The Neel Co. Installation instructions.



- The headwall is held in location and backfilled up 150mm.
- The pipe is installed.



- The remaining T-Wall is installed.



- The completed structure is backfilled to the required elevation.
- If required, the galvanized grate is fastened to the Apron Slab and Headwall with the appropriate hardware.