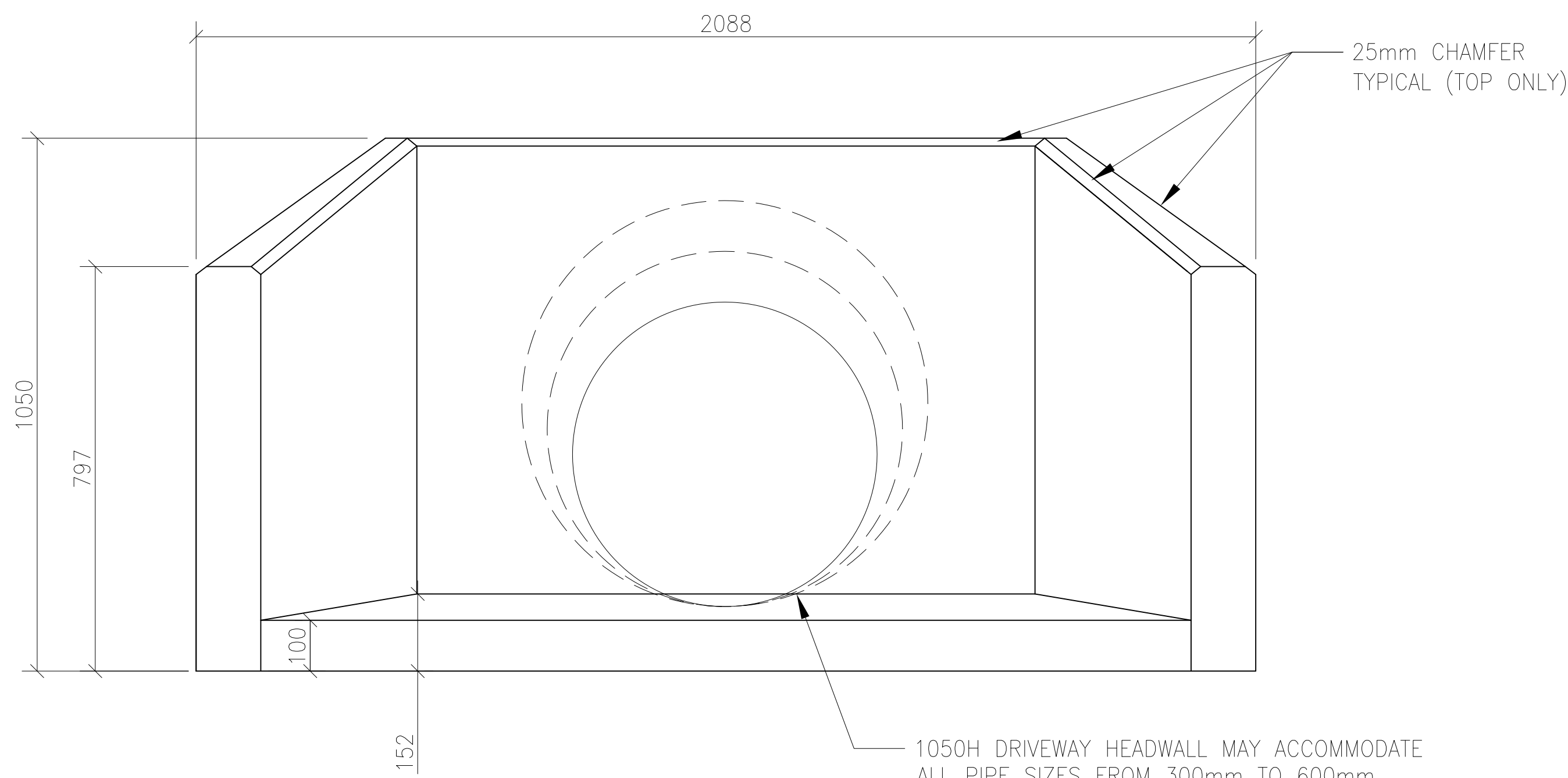


PLAN

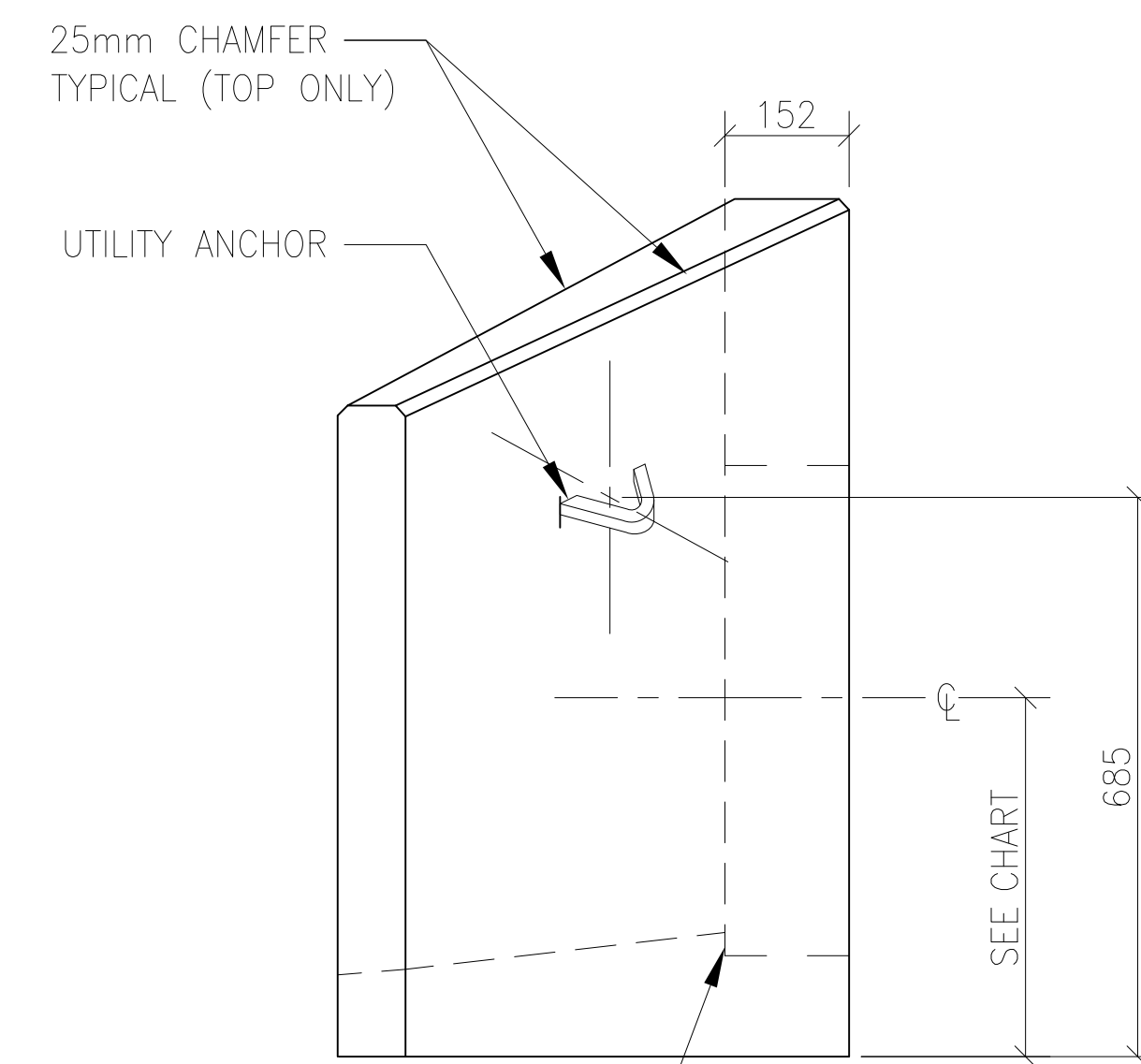
1050H HEADWALL	
STANDARD PIPE OPENINGS	
RCP SIZE	OPENING
450mm	600mm (24")
525mm	700mm (28")
600mm	800mm (32")

PRODUCT CODE: D24HEADWALL
 PRODUCT CODE: D28HEADWALL
 PRODUCT CODE: D32HEADWALL

1050H HEADWALL	
SPECIAL PIPE OPENINGS	
RCP SIZE	OPENING
300mm	450mm (18")
375mm	550mm (22")



FRONT



SIDE

1050 HEADWALL	
CENTERLINE (mm)	OPENING DIST. TO C
450	327
550	370
600	389
700	432
800	476

NOTES:

- GENERAL**
- FOR HANDLING, STORAGE, TRANSPORTATION AND ERECTION PROCEDURES PLEASE REFER TO "PRECAST HEADWALL INSTALLATION GUIDE" AND "DAYTON/RICHMOND GUIDELINES FOR HANDLING CONCRETE PIPE AND UTILITY PRODUCTS".
 - WEIGHT = 1200 kgs
 - TOLERANCE FOR STRUCTURAL ELEMENTS, MATERIALS & CONSTRUCTION CONFORM TO CAN/CSA A23.4 "PRECAST CONCRETE" CLAUSE 10.
- GEOTECHNICAL**
- GEOTECHNICAL ENGINEER TO PROVIDE ON-SITE INSPECTION FOR PLACEMENT AND COMPACTION OF BACKFILL.
- DESIGN**
- THIS STRUCTURE HAS BEEN DESIGNED IN ACCORDANCE WITH CAN/CSA S6.06 UNDER THE FOLLOWING DESIGN PARAMETERS:
 - DESIGN DEAD LOAD = 2H-1V EARTH FILL TOP SLOPE.
 - CONCRETE UNIT WEIGHT = 24.0 kN/m³
 - SOIL/BACKFILL UNIT WEIGHT = 22.0 kN/m³
- REINFORCEMENT**
- ALL REINFORCING STEEL SHALL BE GRADE 400W AND CONFORM TO CAN/CSA G30.18 (LATEST EDITION).
 - ALL WELDED WIRE MESH SHALL HAVE A F_y = 485 MPA AND CONFORM TO ASTM A496 AND A497.
 - ALL REINFORCING SHALL BE DETAILED, FABRICATED, PLACED AND SUPPORTED IN ACCORDANCE WITH CAN/CSA A23.4 (LATEST EDITION).
 - THE CONCRETE COVER OVER PRINCIPAL REINFORCING SHALL BE 50mm ± 10mm AS REQUIRED BY ENVIRONMENTAL EXPOSURE 8.11.2.2 (a) IN CAN/CSA S6.06.
- CONCRETE**
- CONCRETE MIX DESIGNS SHALL CONFORM TO REQUIREMENTS SET FORTH IN CAN/CSA A23.1 EXPOSURE CLASS F-1:
 - CONCRETE STRENGTH = 24 MPA AT TIME OF STRIPPING
 - DESIGN CONCRETE STRENGTH OF 45 MPA AT 28 DAYS OR TIME OF SHIPPING
 - 5% TO 7% AIR ENTRAINMENT
 - GALLANT AGGREGATE SHALL BE USED WITH A NOMINAL AGGREGATE SIZE OF 13mm
 - CONCRETE CURING SHALL BE IN CONFORMANCE WITH CAN/CSA A23.1 (LATEST EDITION).
 - SHAW CONCRETE BATCH No. SHALL BE 406.

REV. NO.	REVISION	DATE



DRAWING NO. **STD-HW1050**

PROJECT TITLE: **STANDARD PRODUCT**

DRAWING TITLE: **1050H DRIVEWAY HEADWALL TO SUIT 300Ø - 600Ø PIPE**

GEOMETRY

CONTRACTOR			
DATE	MAY 2012	DESIGNED	STAFF
DRAWN	M.CAMERON	CHECKED	STAFF