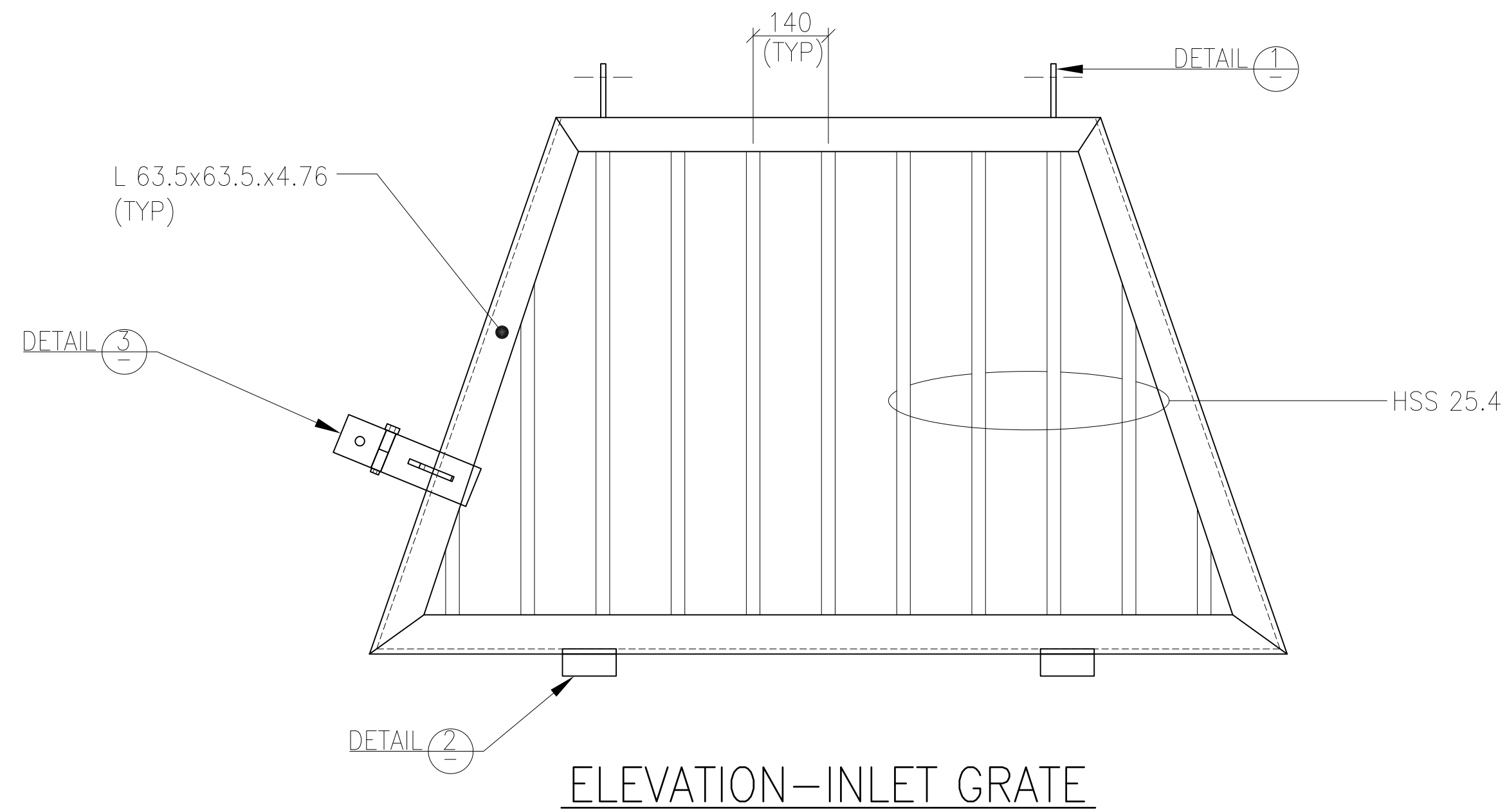
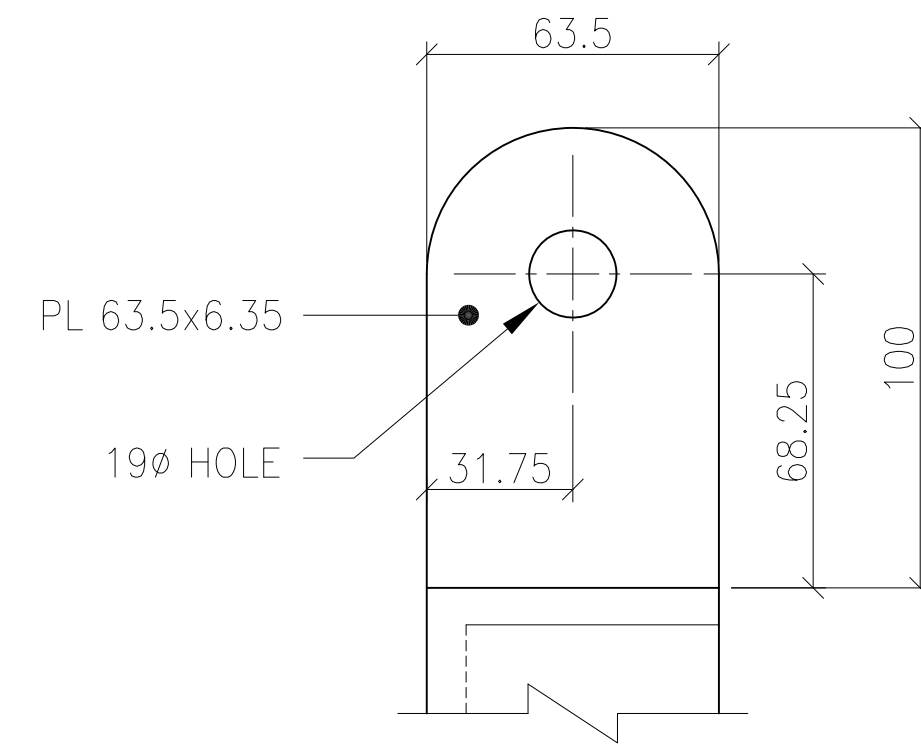


ELEVATION-OUTLET GRATE

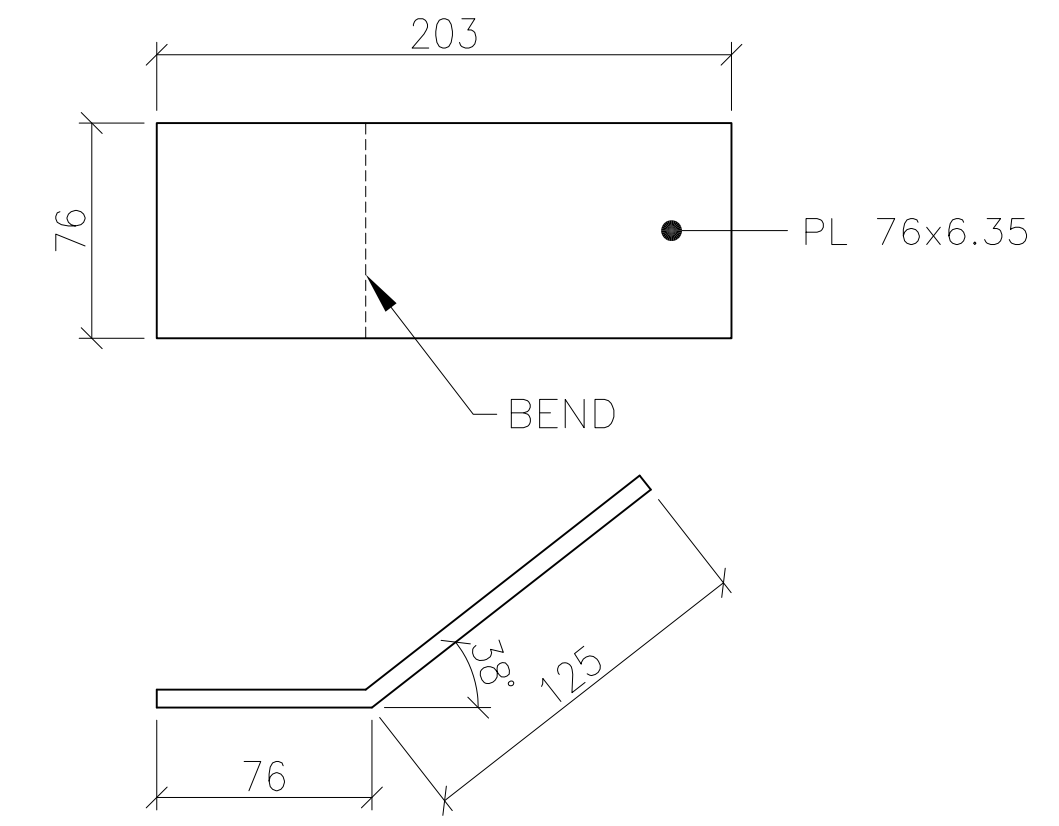
FRAME DIMENSIONS ARE TYPICAL FOR OUTLET AND INLET GRATES



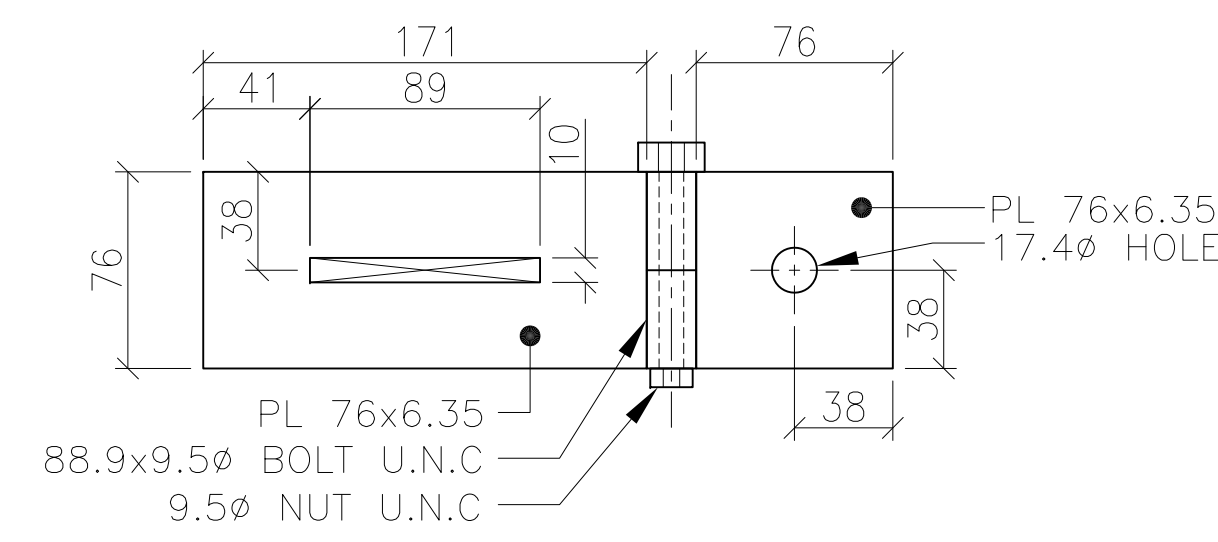
ELEVATION-INLET GRATE



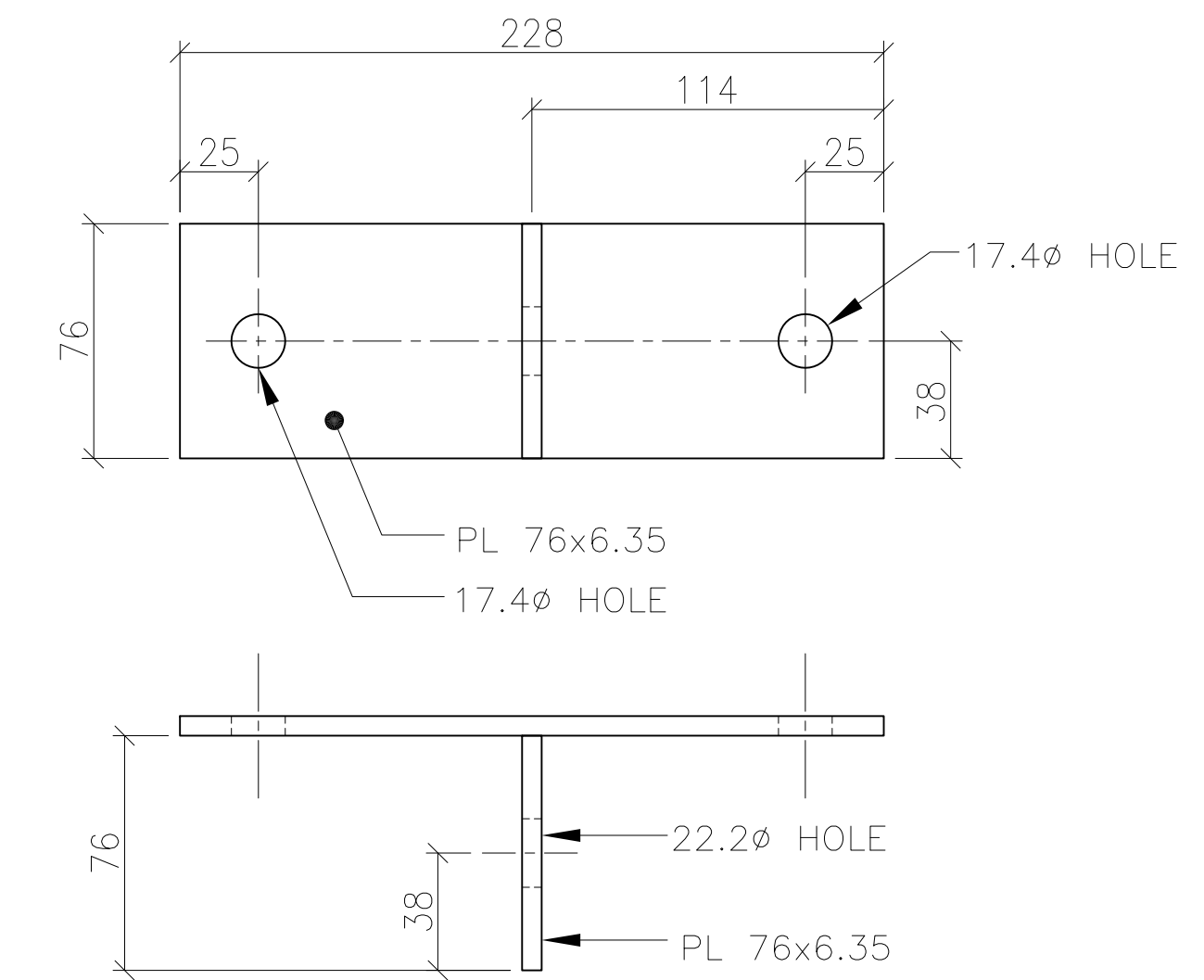
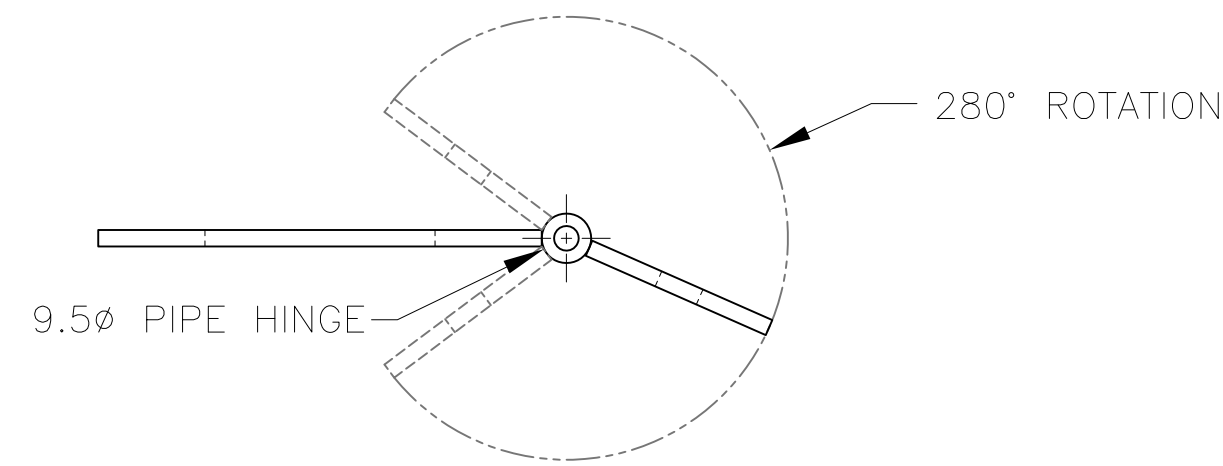
DETAIL 1 HINGE ANCHOR PLATE



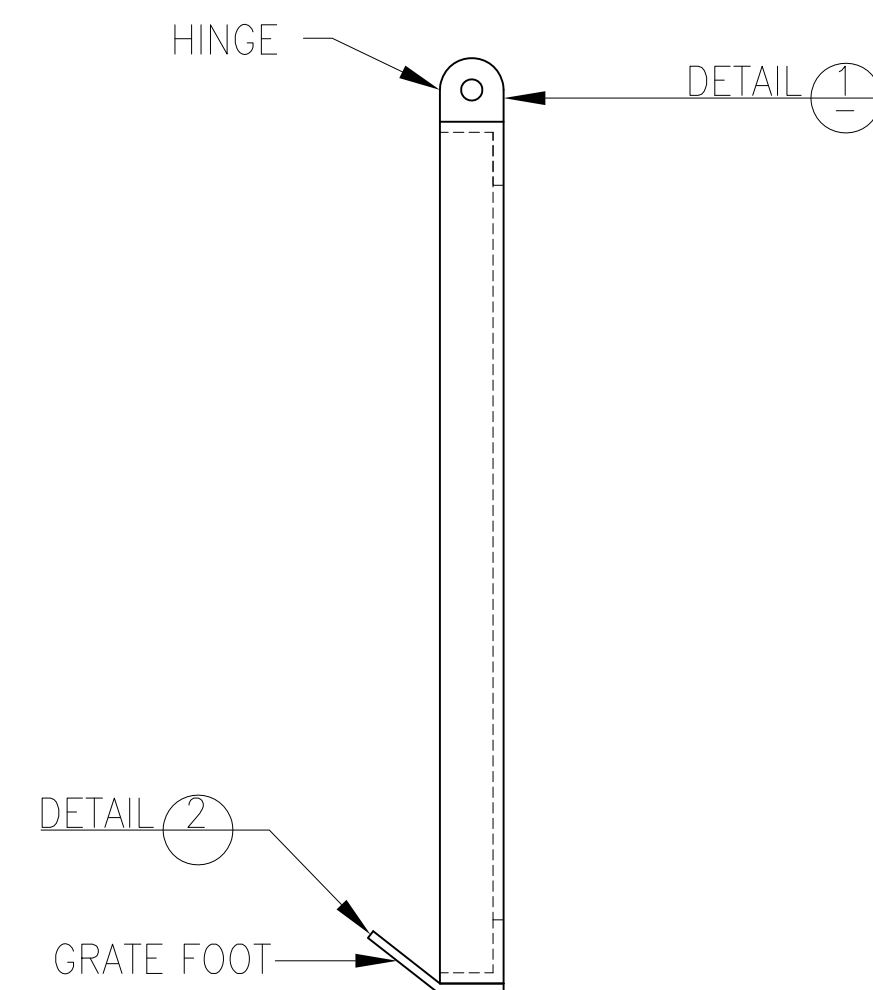
DETAIL 2 GRATE FOOT



DETAIL 3 LOCK HASP



DETAIL 4 WALL ANCHOR PLATE



SIDE VIEW-TYPICAL GRATE

CONSTRUCTION NOTES:

1. ALL GRATE STEEL COMPONENTS TO BE GALVANIZED.
2. CUT OR DRILL HOLES IN GRATE FOR GALVANIZING AS REQUIRED.
3. ALL CONNECTIONS TO BE 3mm FILLET WELD.

SHAW SUPPLIED ITEMS

- | | |
|---|---------------------------------------------|
| 3 | STAINLESS STEEL "L" BRACKETS |
| 5 | 9.53mm (3/8") STAINLESS STEEL WEDGE ANCHORS |

| REV NO. | REVISION | DATE |
|---------|----------|------|
| | | |



DRAWING No. STD-HWG1050

PROJECT TITLE: STANDARD PRODUCTS

PRODUCT CODE: INLET-HWG1050V, OUTLET-HWG1050H

DRAWING TITLE: 1050 HEADWALL GRATE INLET & OUTLET

| DATE | DESIGNED | STAFF |
|----------|----------|-------|
| MAY 2012 | | |

| DRAWN | CHECKED | STAFF |
|-----------|---------|-------|
| M.CAMERON | | |