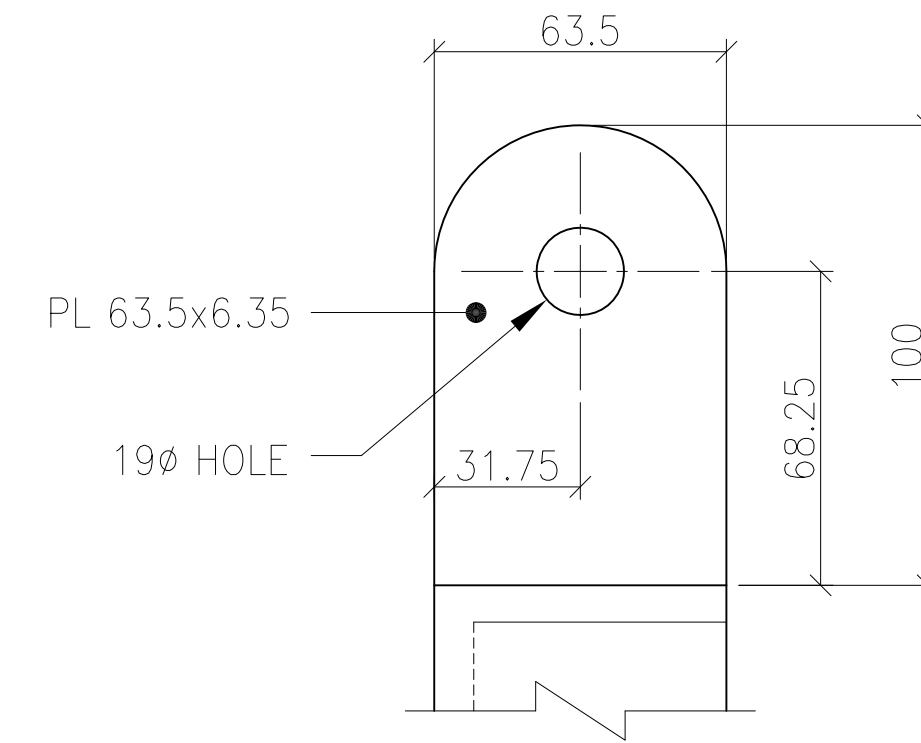
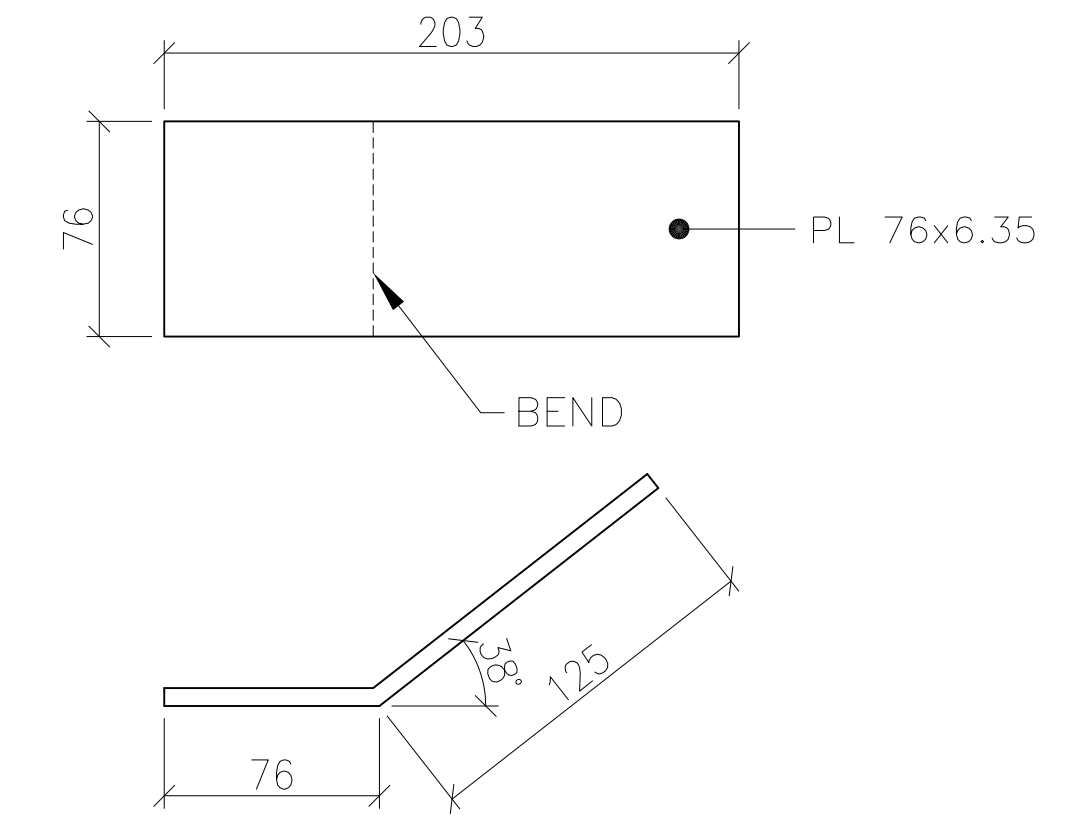


ELEVATION-OUTLET GRATE

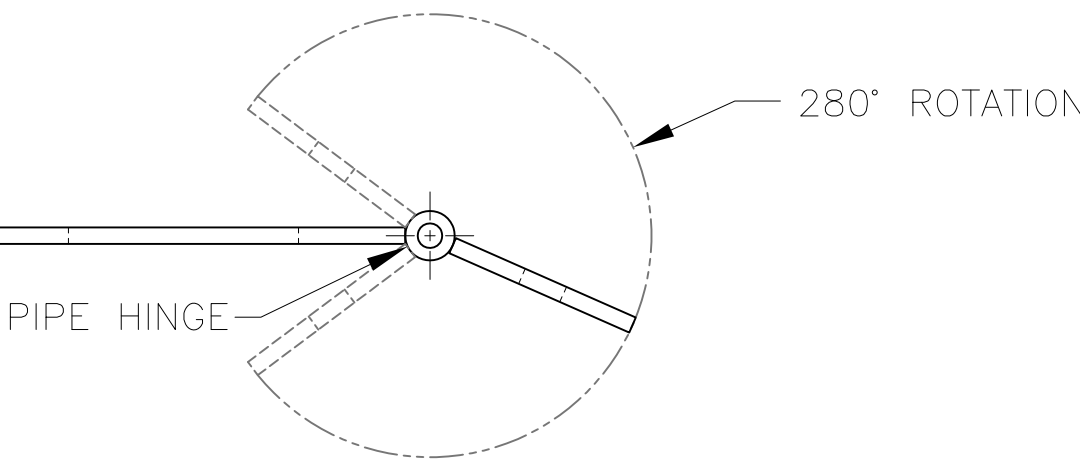
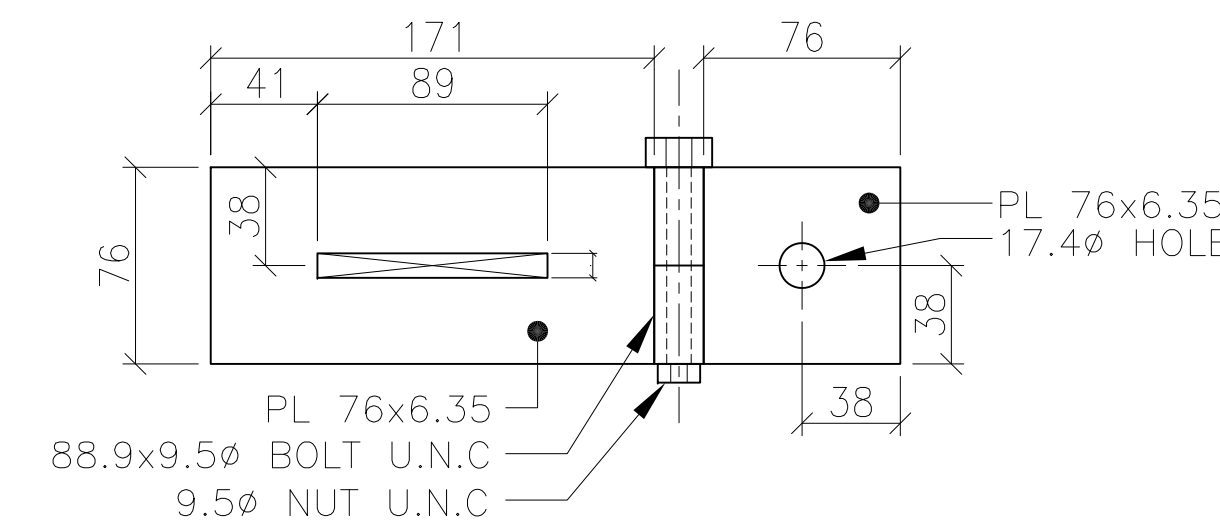
FRAME DIMENSIONS ARE TYPICAL FOR OUTLET AND INLET GRATES



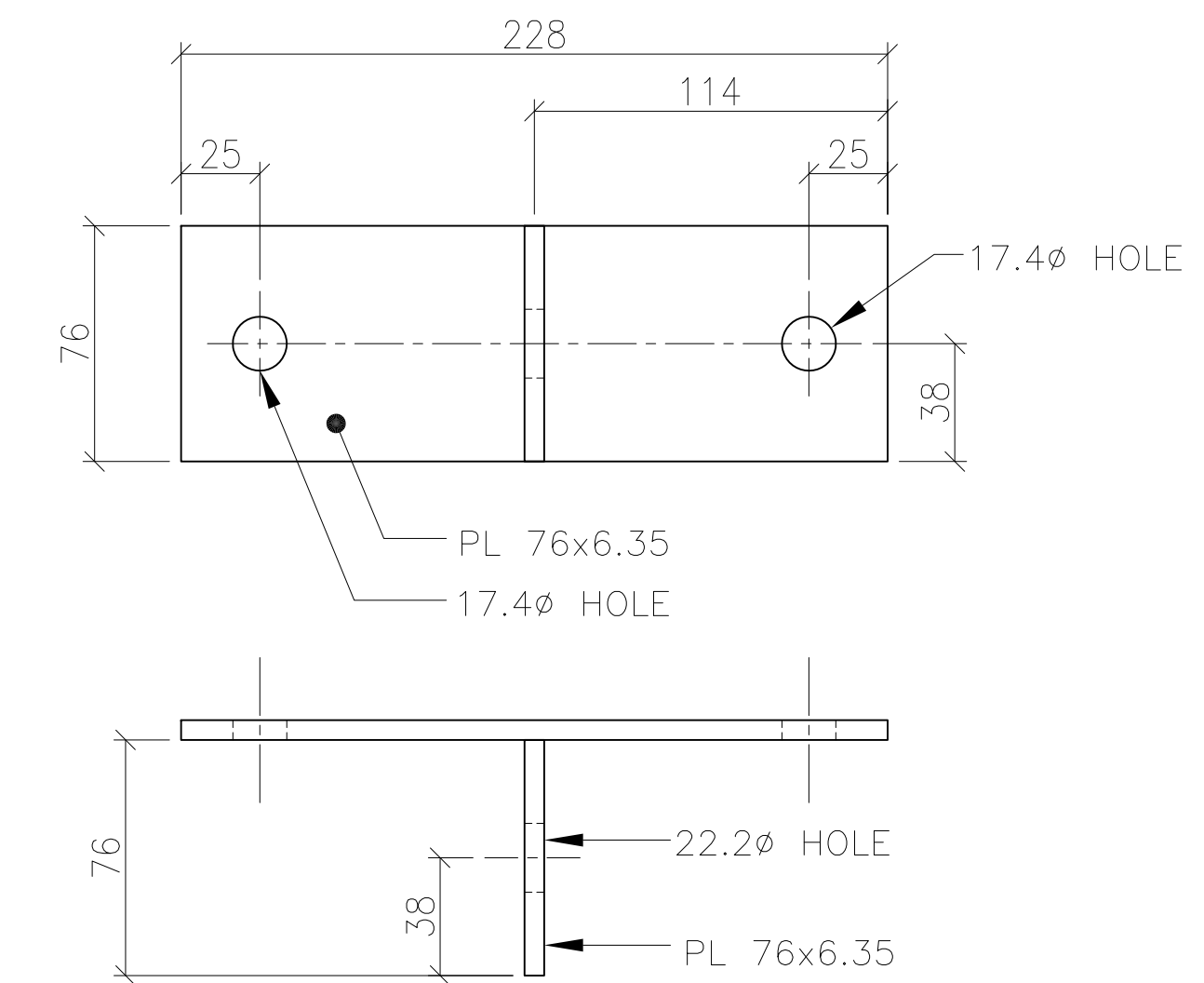
DETAIL 1 HINGE ANCHOR PLATE



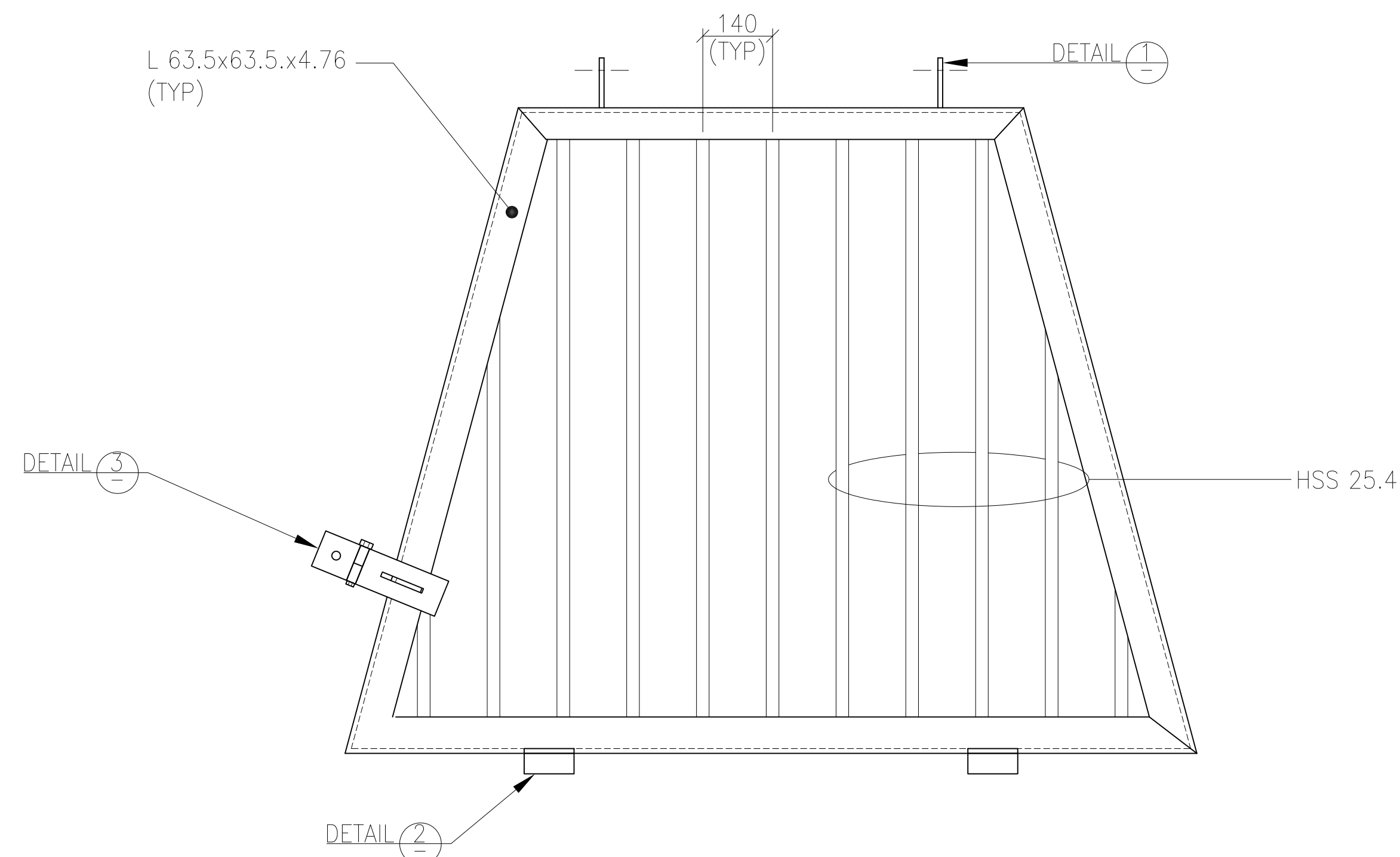
DETAIL 2 GRATE FOOT



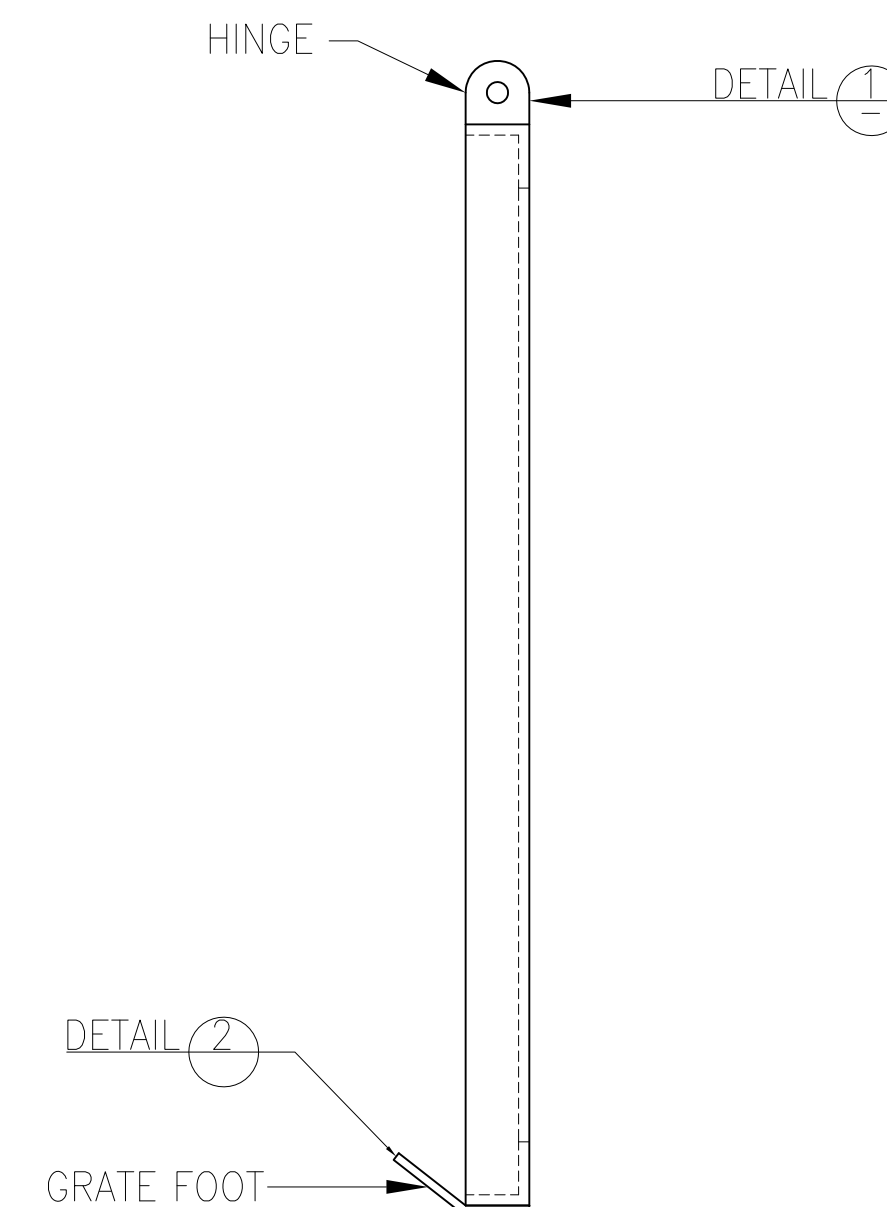
DETAIL 3 LOCK HASP



DETAIL 4 WALL ANCHOR PLATE



ELEVATION-INLET GRATE



SIDE VIEW-TYPICAL GRATE

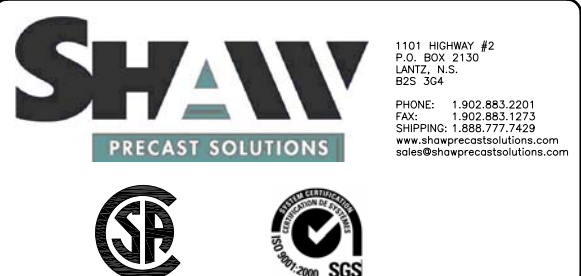
CONSTRUCTION NOTES:

1. ALL GRATE STEEL COMPONENTS TO BE GALVANIZED.
2. CUT OR DRILL HOLES IN GRATE FOR GALVANIZING AS REQUIRED.
3. ALL CONNECTIONS TO BE 3mm FILLET WELD.

SHAW SUPPLIED ITEMS

- |   |   |
|---|---|
| 3 | STAINLESS STEEL "L" BRACKETS                |
| 5 | 9.53mm (3/8") STAINLESS STEEL WEDGE ANCHORS |

REV NO	REVISION	DATE
--------	----------	------



DRAWING No. STD-HWG1450

PROJECT TITLE: STANDARD PRODUCT

PRODUCT CODE: INLET-HWG1450V, OUTLET-HWG1450H

DRAWING TITLE: 1450 HEADWALL GRATE INLET & OUTLET

GENERAL ARRANGEMENT

CONTRACTOR

DATE: MAY 2012 DESIGNED: STAFF

DRAWN: M.CAMERON CHECKED: STAFF