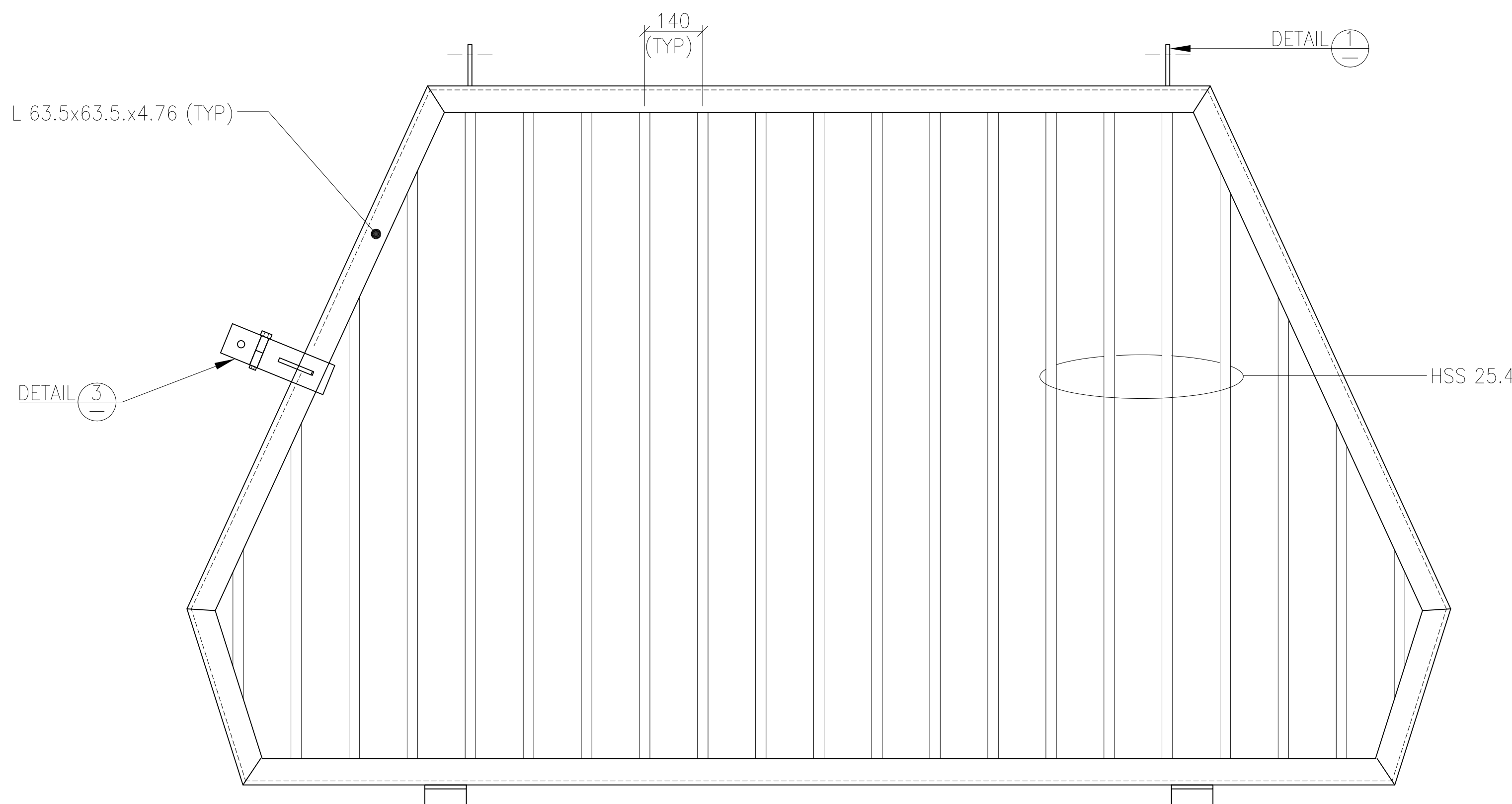
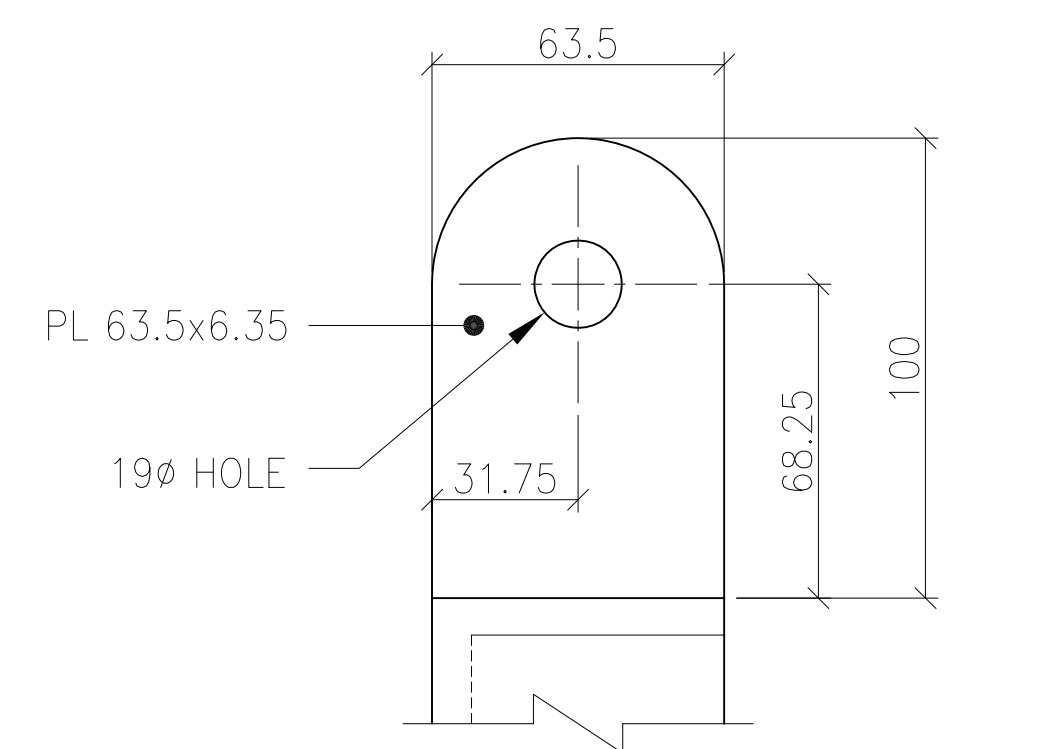


ELEVATION-OUTLET GRATE

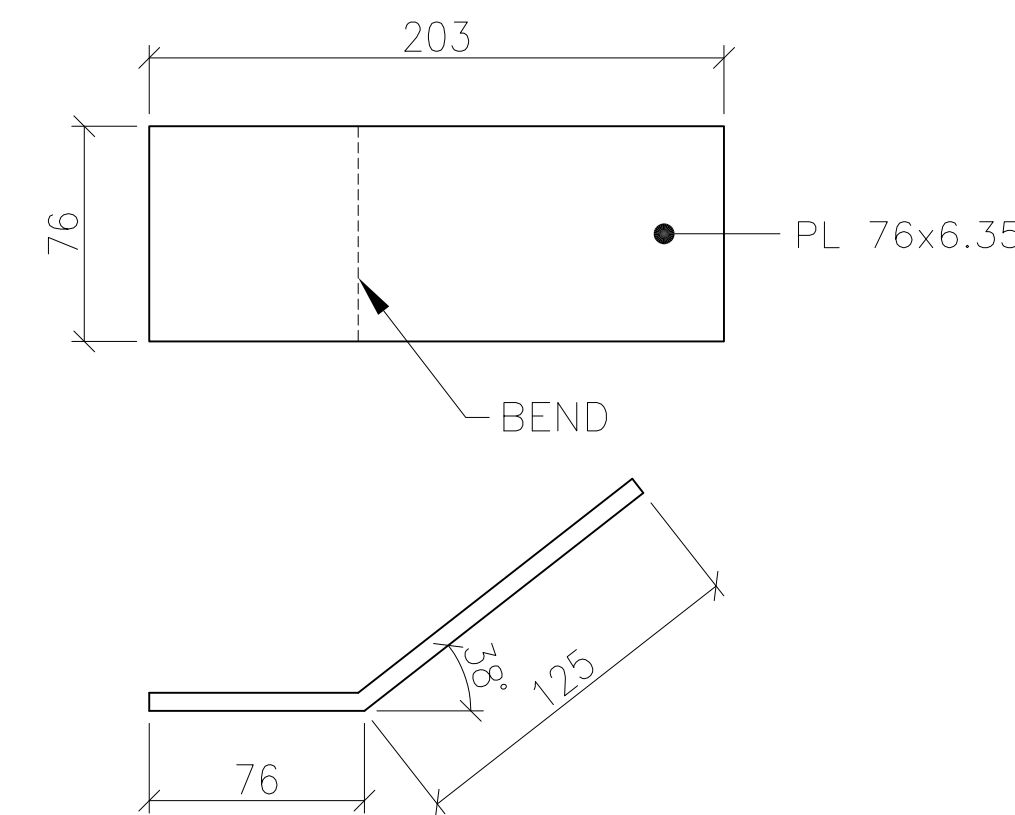
FRAME DIMENSIONS ARE TYPICAL FOR OUTLET AND INLET GRATES



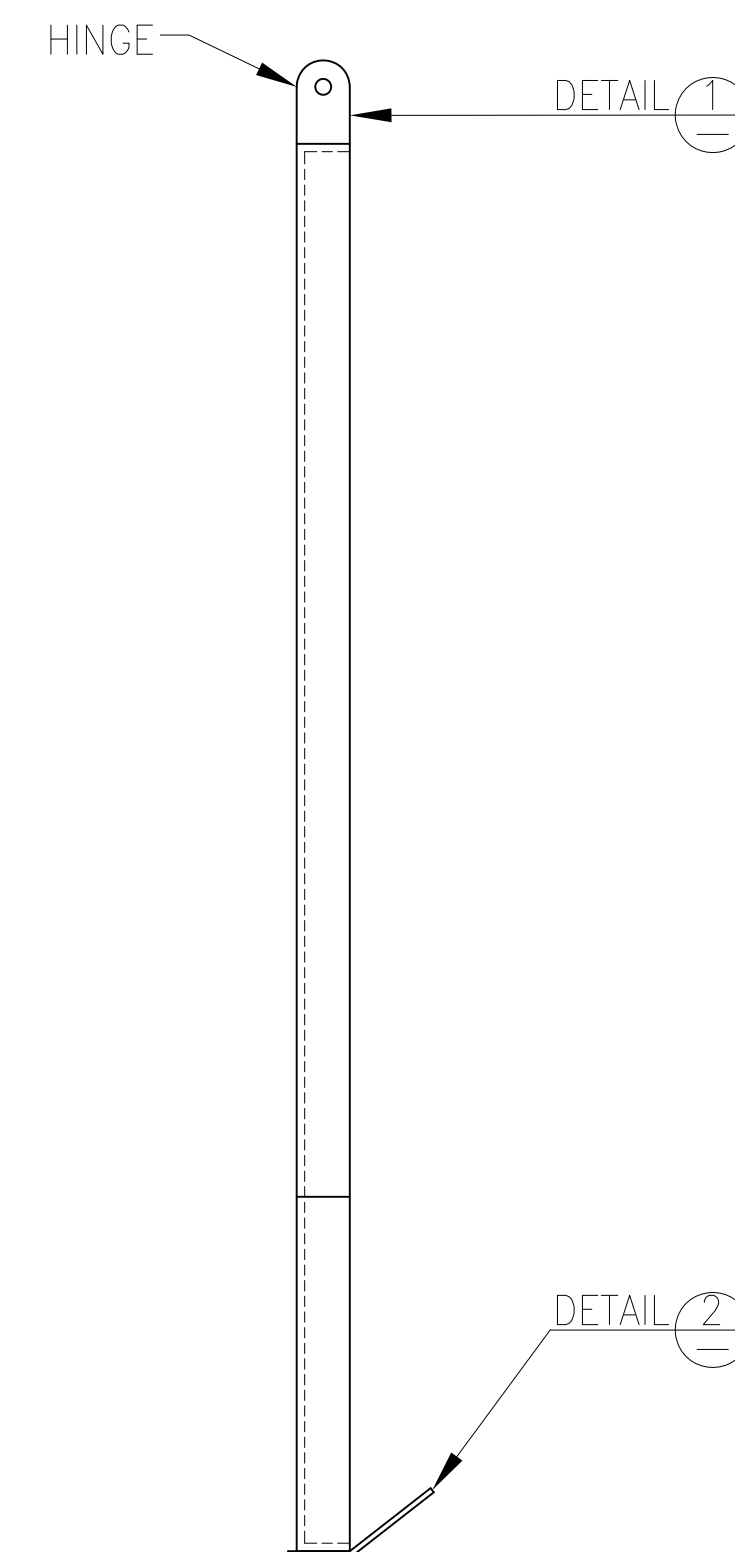
ELEVATION-INLET GRATE



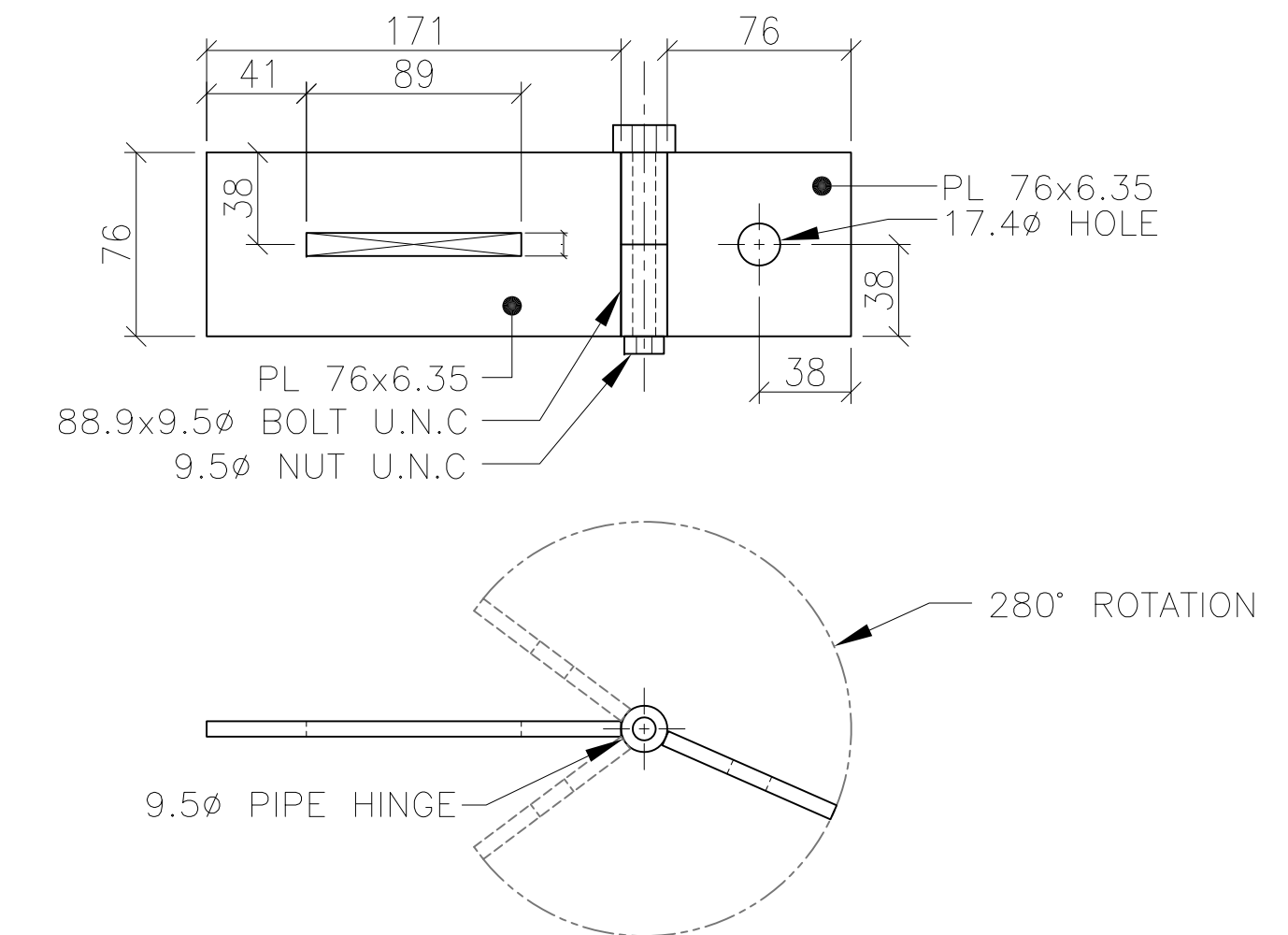
DETAIL 1 HINGE ANCHOR PLATE



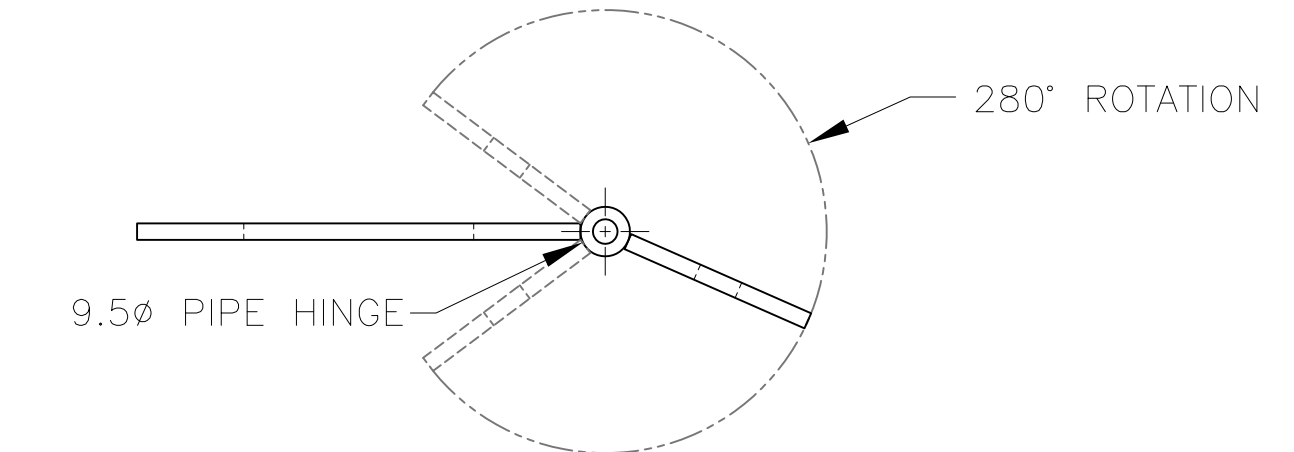
DETAIL 2 GRATE FOOT



SIDE VIEW-TYPICAL GRATE



DETAIL 3 LOCK HASP



DETAIL 4 WALL ANCHOR PLATE

CONSTRUCTION NOTES:

1. ALL GRATE STEEL COMPONENTS TO BE GALVANIZED.
2. CUT OR DRILL HOLES IN GRATE FOR GALVANIZING AS REQUIRED.
3. ALL CONNECTIONS TO BE 3mm FILLET WELD.

SHAW SUPPLIED ITEMS

- | | |
|---|-----------------------------------|
| 3 | STAINLESS STEEL "L" BRACKETS |
| 5 | 9.53mm (3/8") STEEL WEDGE ANCHORS |

REV NO.	REVISION	DATE
---------	----------	------



DRAWING No. **STD-HWG1500**

PROJECT TITLE: **STANDARD PRODUCTS**

PRODUCT CODE: **INLET-HWG1500V
OUTLET-HWG1500H**

DRAWING TITLE: **HRM HEADWALL GRATE
1500x1500
INLET & OUTLET**

DATE	MAY 2012	DESIGNED	STAFF
DRAWN	M.CAMERON	CHECKED	STAFF