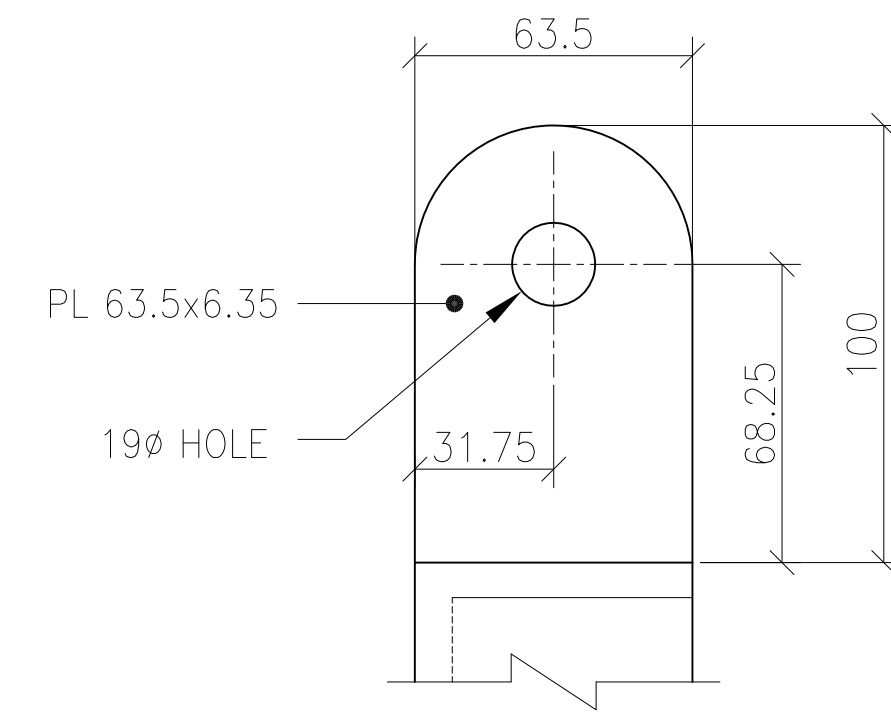
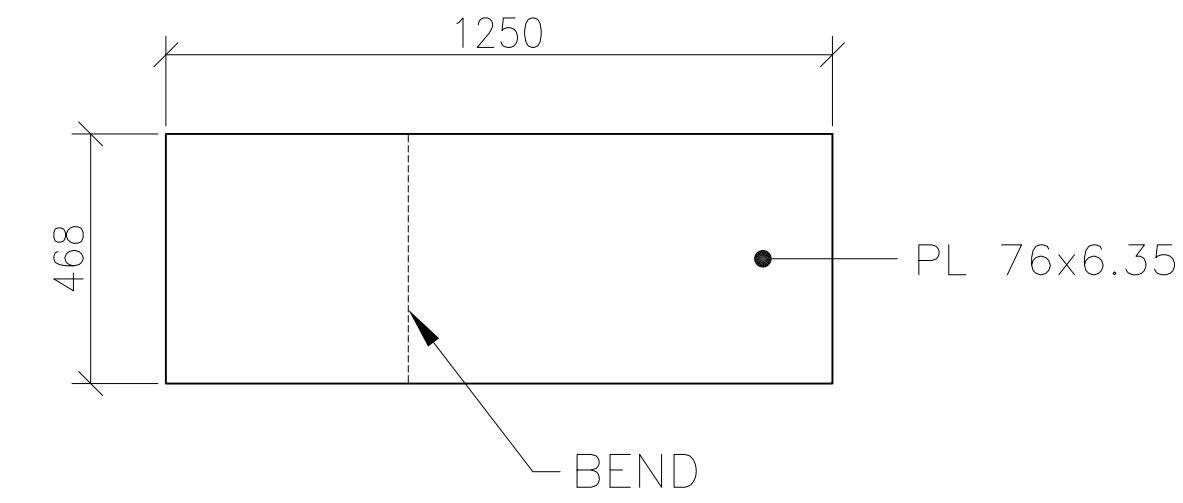


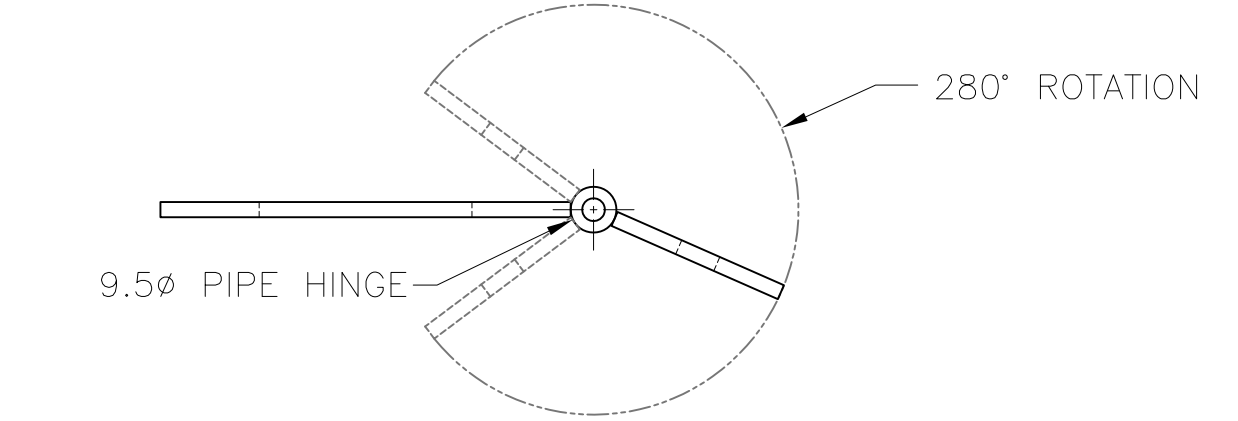
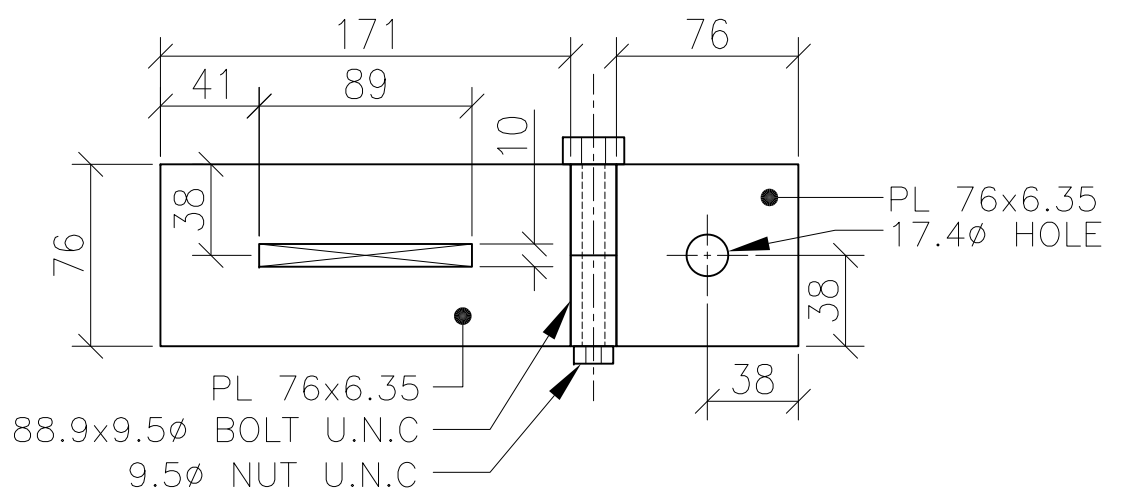
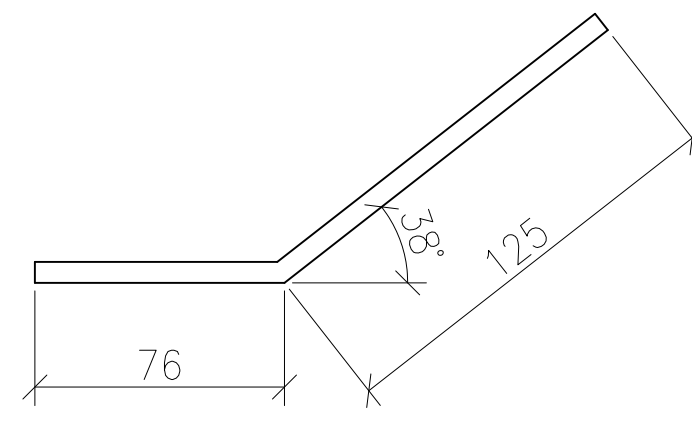
ELEVATION—OUTLET GRATE



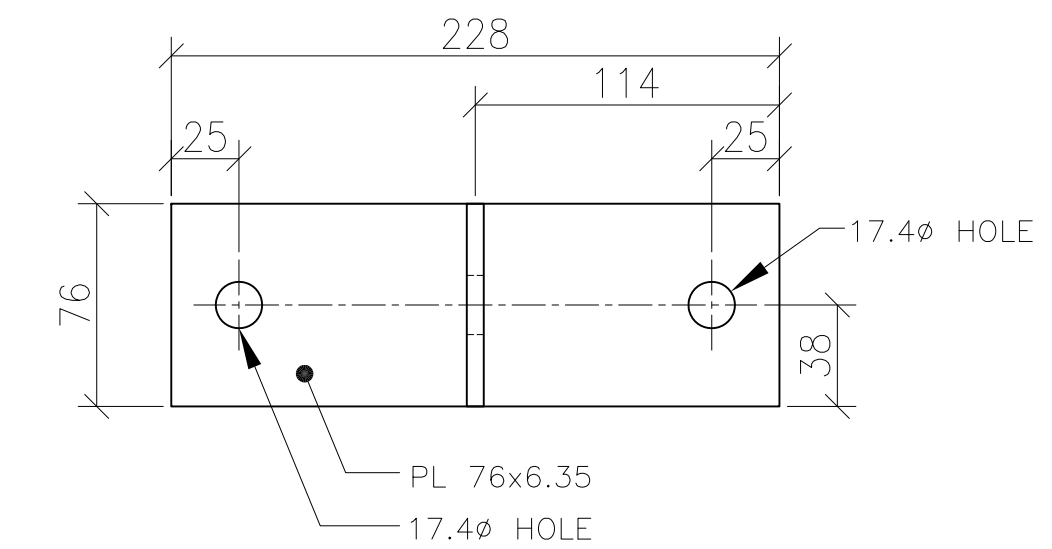
DETAIL 1 HINGE ANCHOR PLATE



DETAIL 2 GRATE FOOT



DETAIL 3 LOCK HASP

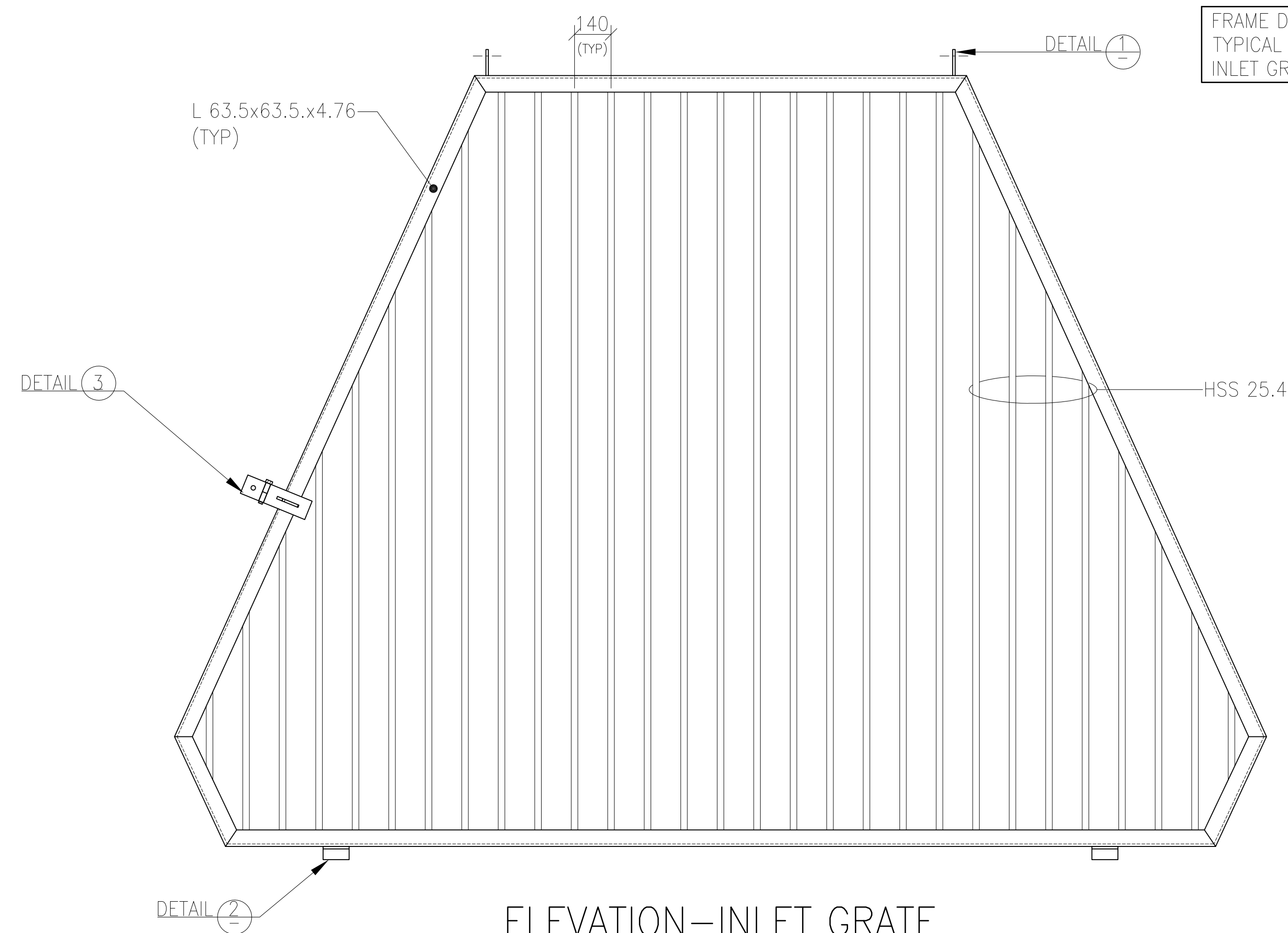


DETAIL 4 WALL ANCHOR PLATE

CONSTRUCTION NOTES:

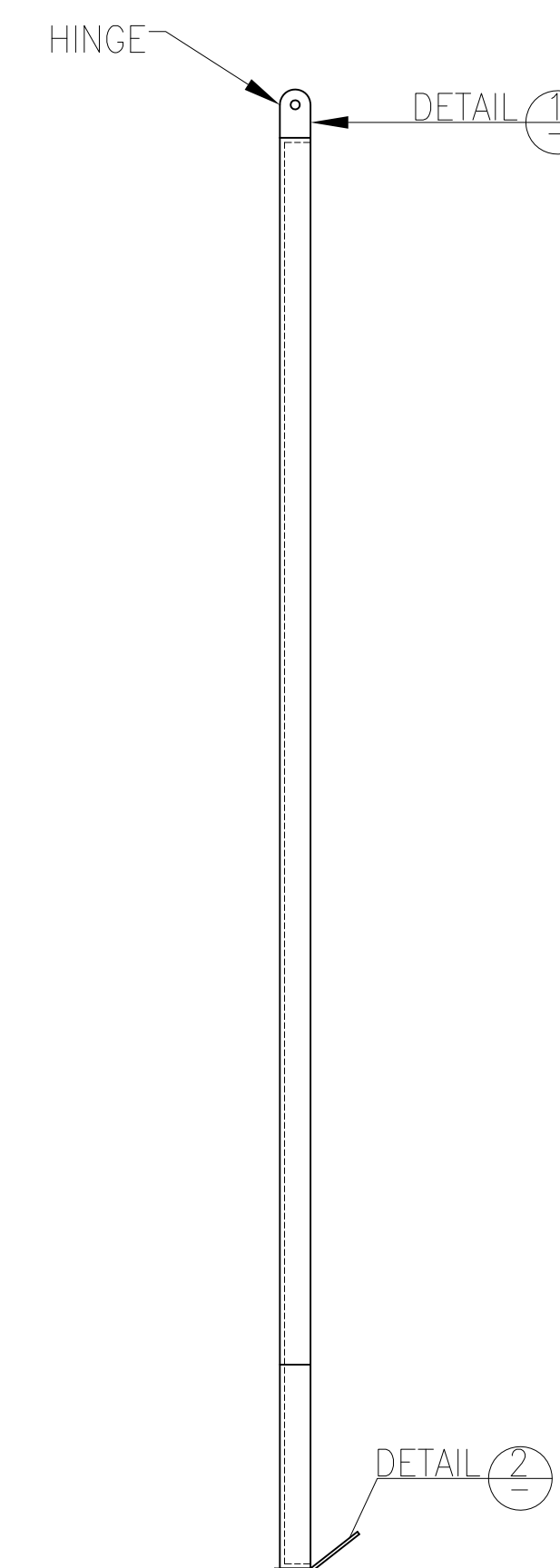
1. ALL GRATE STEEL COMPONENTS TO BE GALVANIZED.
2. CUT OR DRILL HOLES IN GRATE FOR GALVANIZING AS REQUIRED.
3. ALL CONNECTIONS TO BE 3mm FILLET WELD.

SHAW SUPPLIED ITEMS	
3	STAINLESS STEEL "L" BRACKETS
5	9.53mm (3/8") STEEL WEDGE ANCHORS



ELEVATION—INLET GRATE

FRAME DIMENSIONS ARE TYPICAL FOR OUTLET AND INLET GRATES



SIDE VIEW—TYPICAL GRATE

REV. NO.	REVISION	DATE



DRAWING No. **STD-HWG2400**

PROJECT TITLE: **STANDARD PRODUCTS**

PRODUCT CODE: **INLET-HWG2400V  
OUTLET-HWG2400H**

DRAWING TITLE: **HRM STYLE HEADWALL  
2400x2400 GRATES**

DATE	DESIGNED
MAY 2012	STAFF
DRAWN	CHECKED
M. CAMERON	STAFF