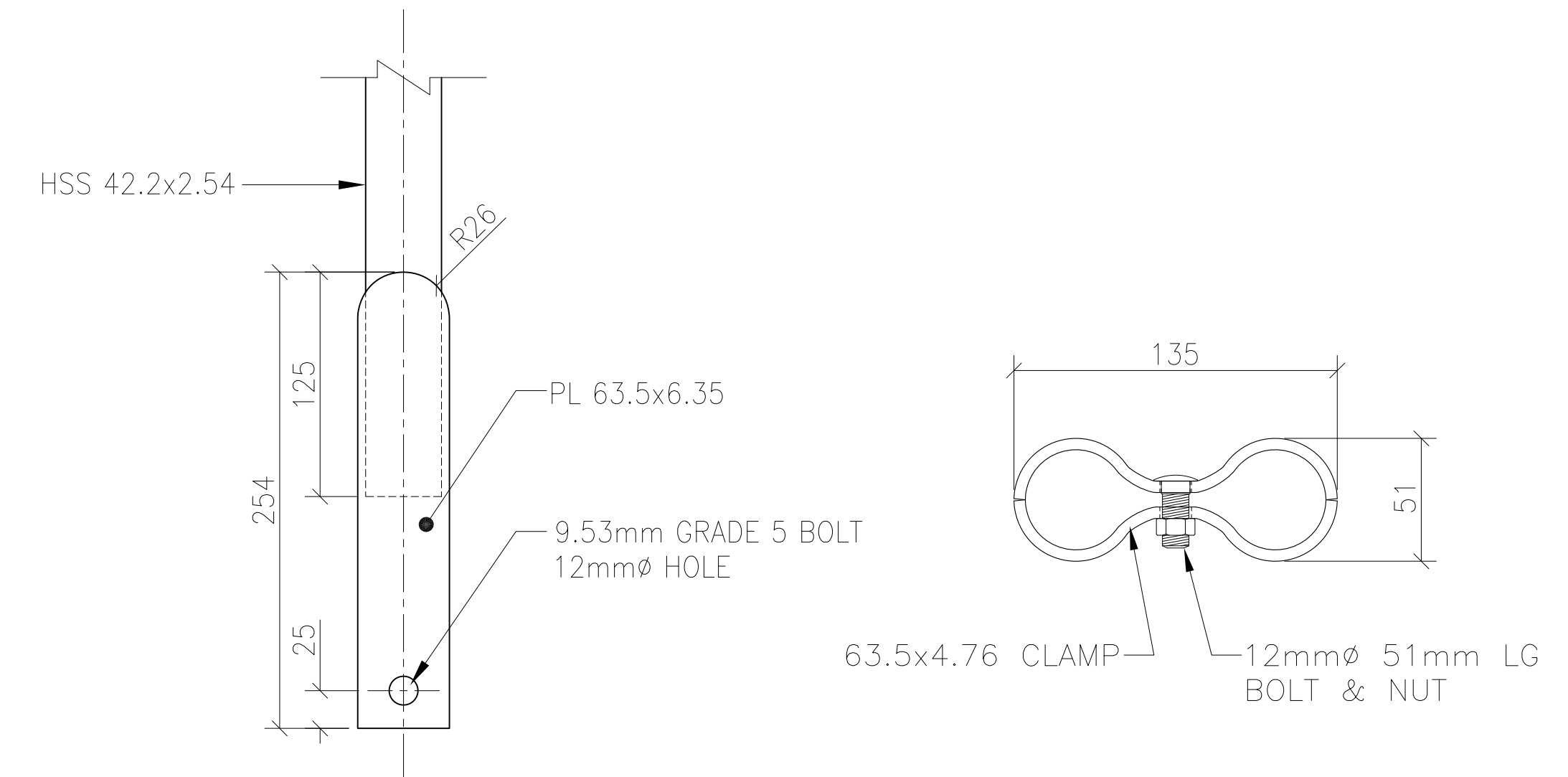


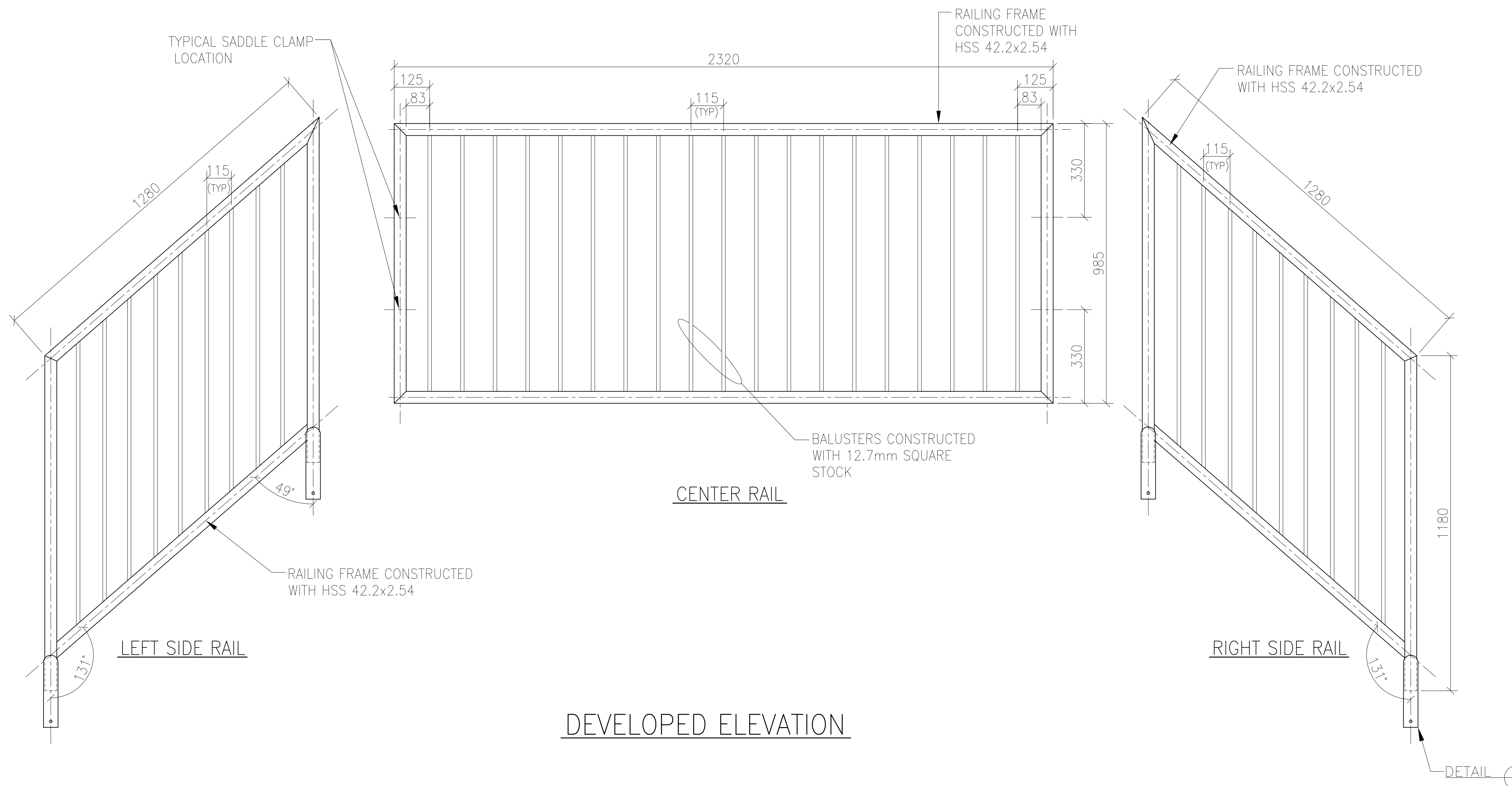
PLAN-ASSEMBLED



1 SIDE RAIL ANCHOR PLATE

2 SADDLE CLAMP

DETAILS



DEVELOPED ELEVATION

CONSTRUCTION NOTES:

1. ALL RAILING STEEL COMPONENTS TO BE GALVANIZED.
2. CUT OR DRILL HOLES IN RAILING FOR GALVANIZING AS REQUIRED.
3. ALL CONNECTIONS TO BE 3mm FILLET WELD.
4. CENTER RAIL SHALL BE ATTACHED TO LEFT AND RIGHT SIDE RAILS WITH SADDLE CLAMPS. (BY CONTRACTOR)

SHAW SUPPLIED ITEMS

- | | |
|---|---|
| 4 | 9.53mm (3/8") STAINLESS DROP-IN ANCHORS |
| 4 | 12mm (1/2") x 38mm (1 1/2") BOLTS |
| 4 | 25mm (1") WASHERS |

| REV. NO. | REVISION | DATE |
|----------|----------|------|
|----------|----------|------|



DRAWING No. **STD-HWHAND1500**

PROJECT TITLE: **STANDARD PRODUCTS**

PRODUCT CODE: **HWHANDSM**

DRAWING TITLE: **HRM STYLE HEADWALL HANDRAIL FOR: 1500x1500**

CONTRACTOR

DATE: **MAY 2012** DESIGNED: **STAFF**

DRAWN: **M.CAMERON** CHECKED: **STAFF**