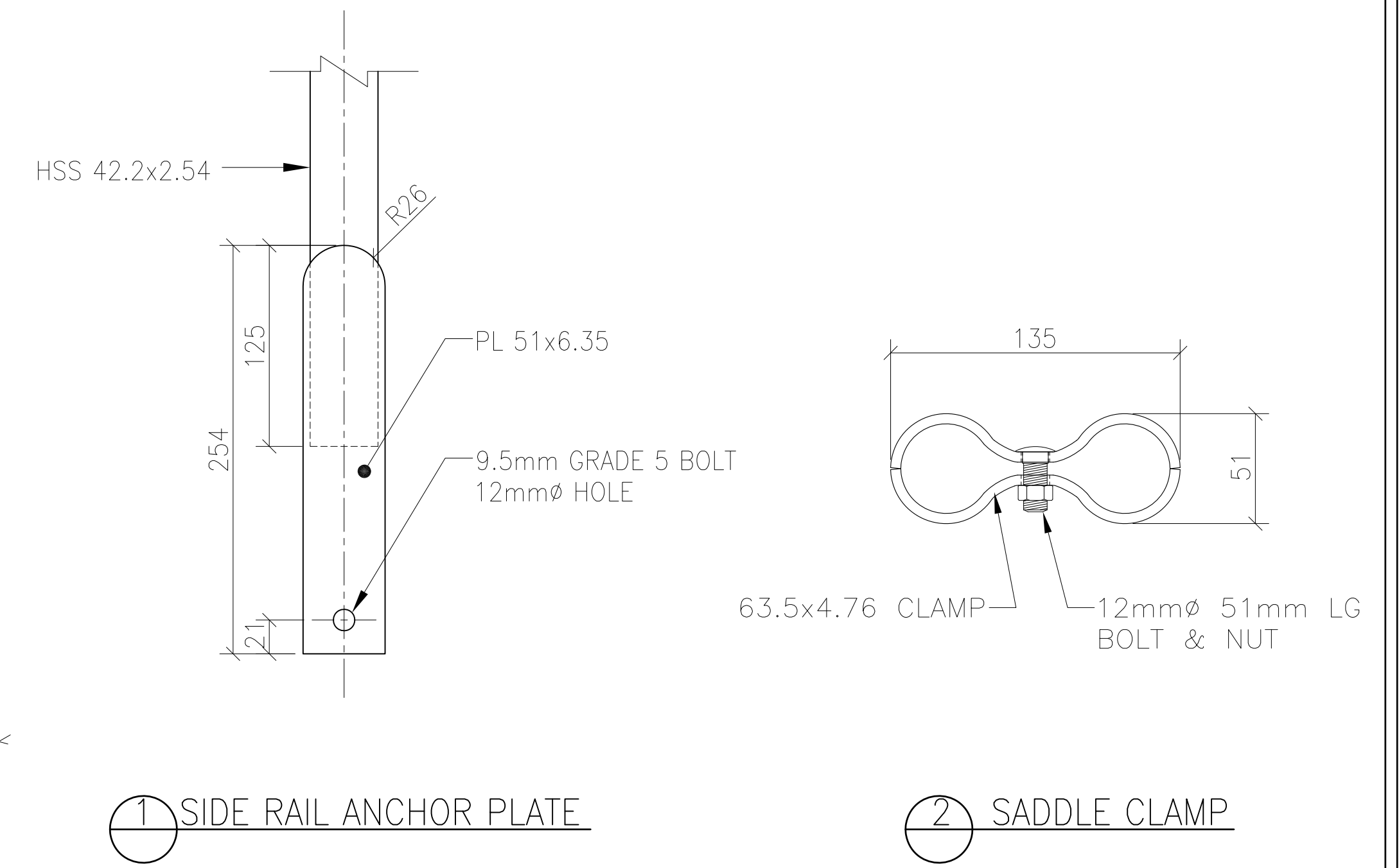


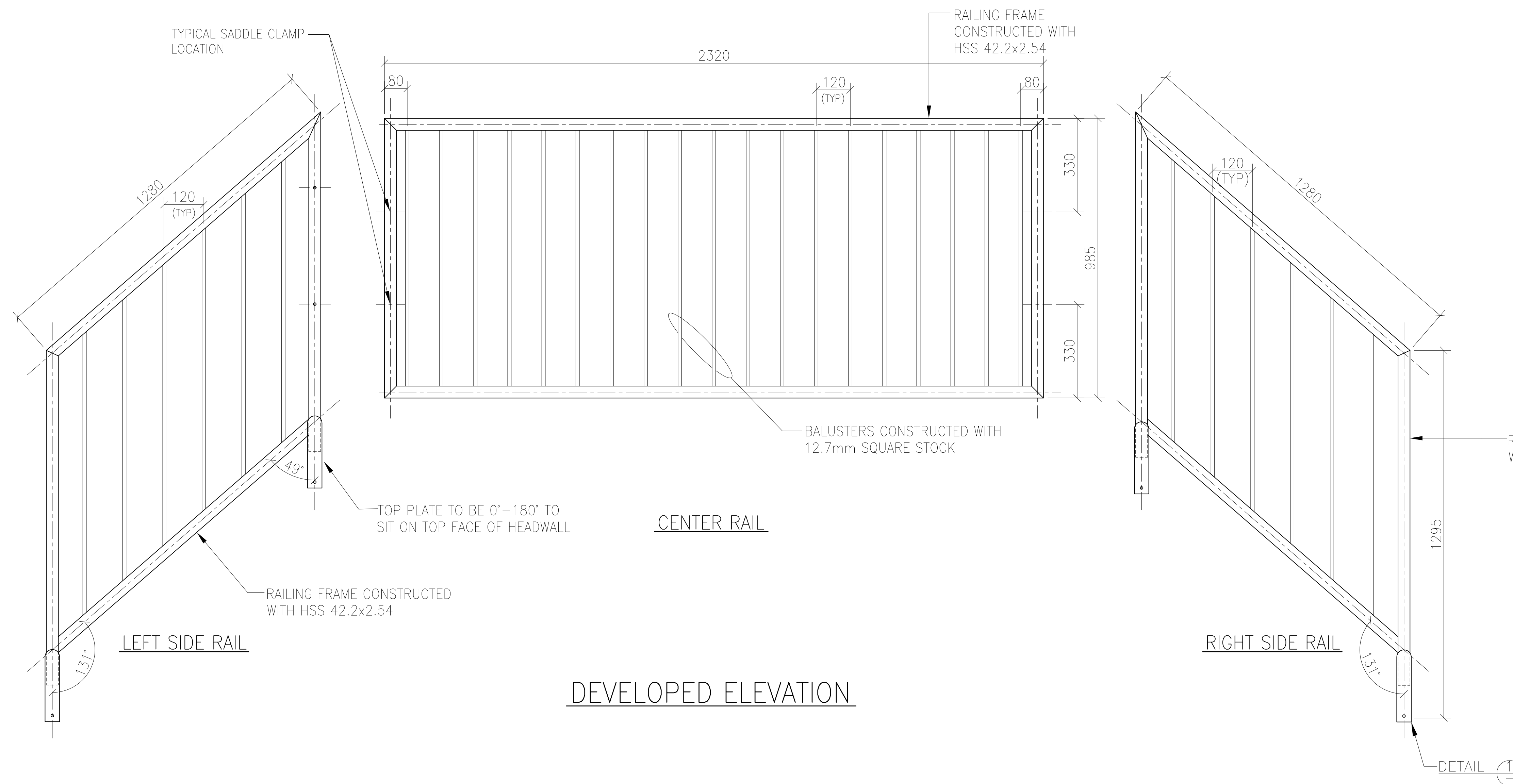
PLAN-ASSEMBLED



1 SIDE RAIL ANCHOR PLATE

2 SADDLE CLAMP

DETAILS



DEVELOPED ELEVATION

CONSTRUCTION NOTES:

1. ALL RAILING STEEL COMPONENTS TO BE GALVANIZED.
2. CUT OR DRILL HOLES IN RAILING FOR GALVANIZING AS REQUIRED.
3. ALL CONNECTIONS TO BE 3mm FILLET WELD.
4. CENTER RAIL SHALL BE ATTACHED TO LEFT AND RIGHT SIDE RAILS WITH SADDLE CLAMP. (BY CONTRACTOR)

SHAW SUPPLIED ITEMS	
4	9.530mm (3/8") STEEL WEDGE ANCHORS
4	120mm (1/2") x 380mm (1 1/2) BOLTS
4	250mm (1") WASHER

REV. NO.	REVISION	DATE

SHAW
PRECAST SOLUTIONS

1111 402-9512 #1
402-9512-10
12000
1-800-885-2222
1-800-777-7429
www.shawprecast.com

SP SGS

DRAWING No. **STD-HWHAND1900**

PROJECT TITLE:
STANDARD PRODUCTS

PRODUCT CODE:
HWHANDSM

DRAWING TITLE:
HRM STYLE HEADWALL
HANDRAIL FOR:
1900x1900

CONTRACTOR	
DATE	DESIGNED STAFF
MAY 2012	
DRAWN	CHECKED STAFF
M. CAMERON	