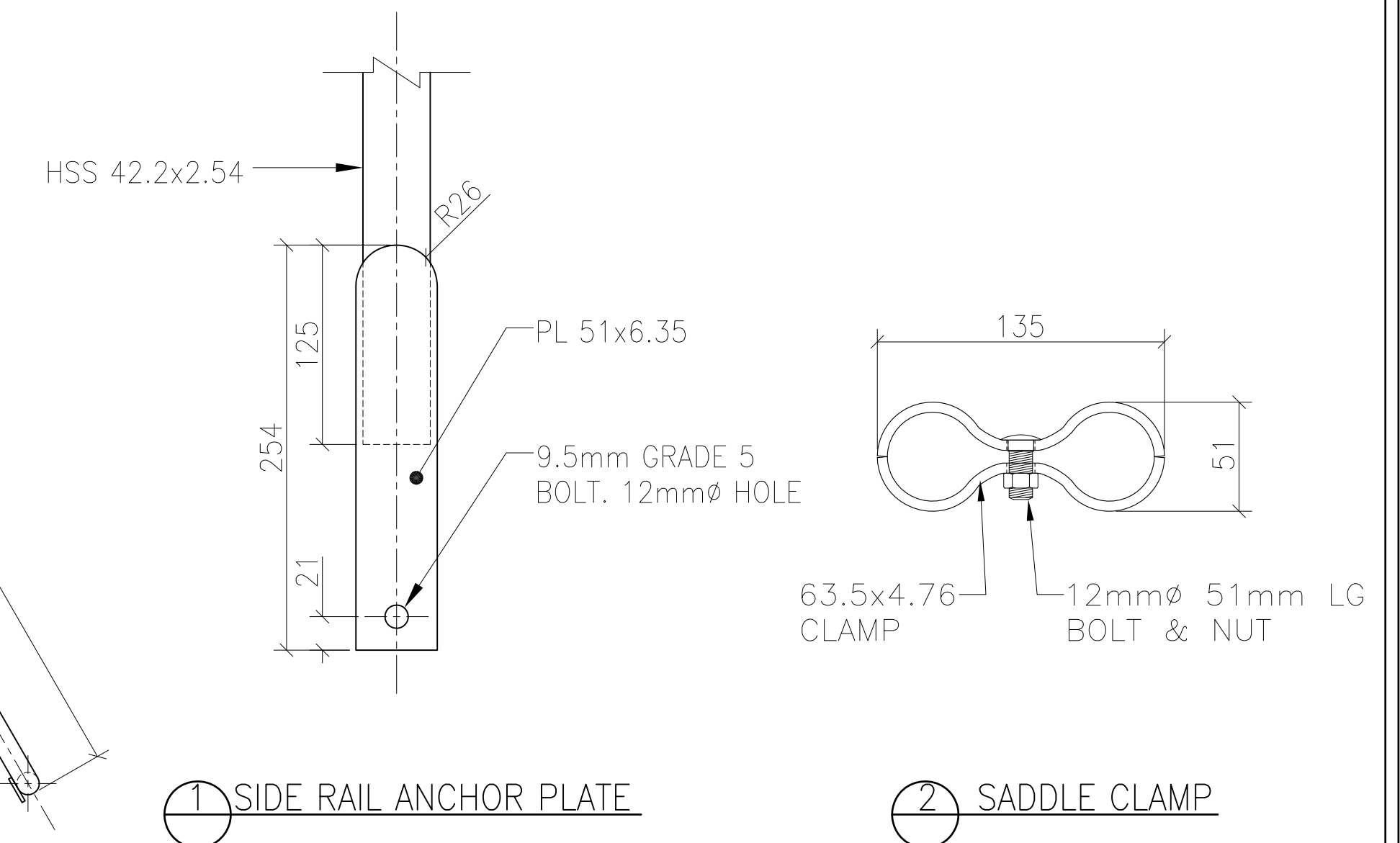


PLAN-ASSEMBLED



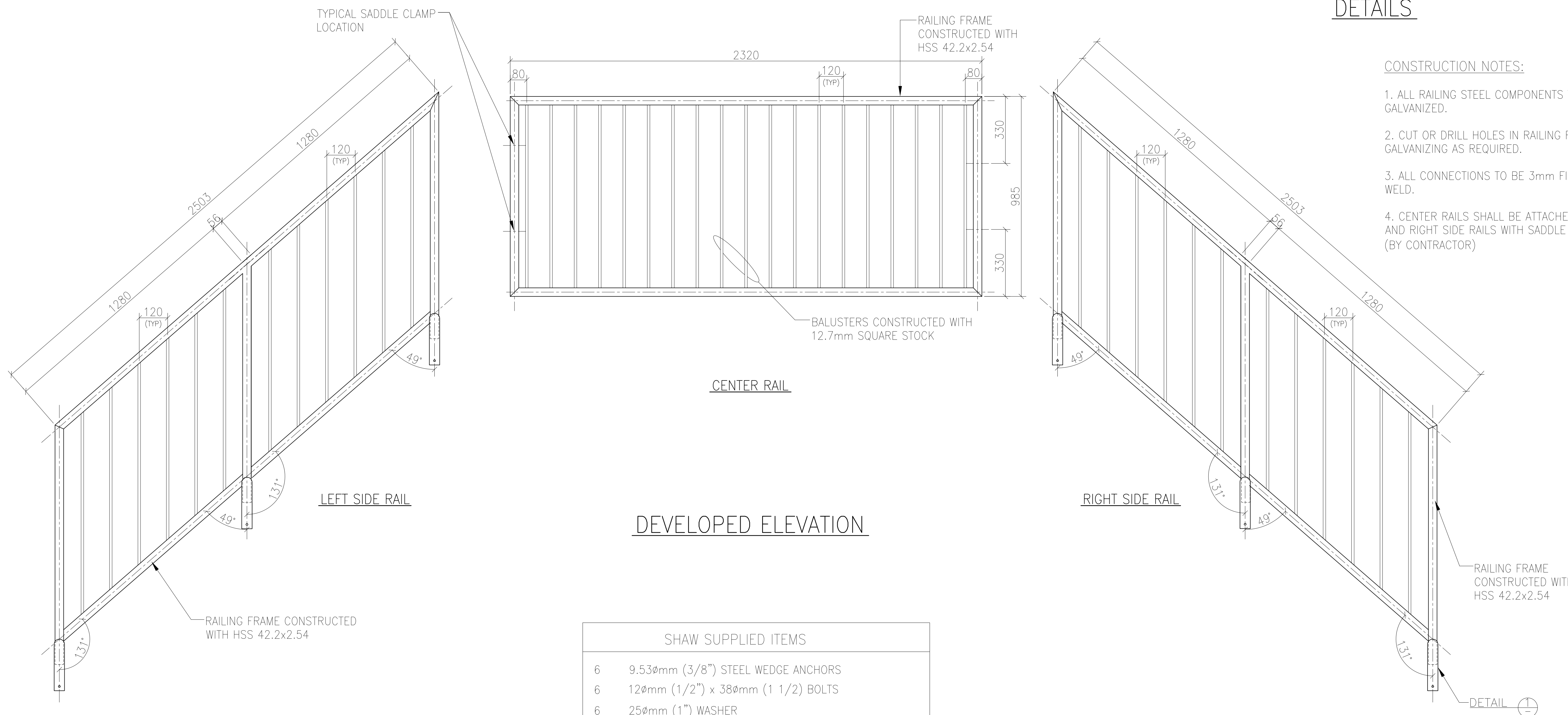
1 SIDE RAIL ANCHOR PLATE

2 SADDLE CLAMP

DETAILS

CONSTRUCTION NOTES:

1. ALL RAILING STEEL COMPONENTS TO BE GALVANIZED.
2. CUT OR DRILL HOLES IN RAILING FOR GALVANIZING AS REQUIRED.
3. ALL CONNECTIONS TO BE 3mm FILLET WELD.
4. CENTER RAILS SHALL BE ATTACHED TO LEFT AND RIGHT SIDE RAILS WITH SADDLE CLAMPS. (BY CONTRACTOR)



DEVELOPED ELEVATION

SHAW SUPPLIED ITEMS	
6	9.53mm (3/8") STEEL WEDGE ANCHORS
6	12mm (1/2") x 38mm (1 1/2) BOLTS
6	25mm (1") WASHER

REV. NO.	REVISION	DATE



DRAWING No. STD-HWHAND2400

PROJECT TITLE: STANDARD PRODUCTS

PRODUCT CODE: HWHANDLG

DRAWING TITLE: HRM STYLE HEADWALL HANDRAIL FOR: 2400x2400

CONTRACTOR		DESIGNED		STAFF	
DATE	MAY 2012	DESIGNED		STAFF	
DRAWN	M.CAMERON	CHECKED		STAFF	