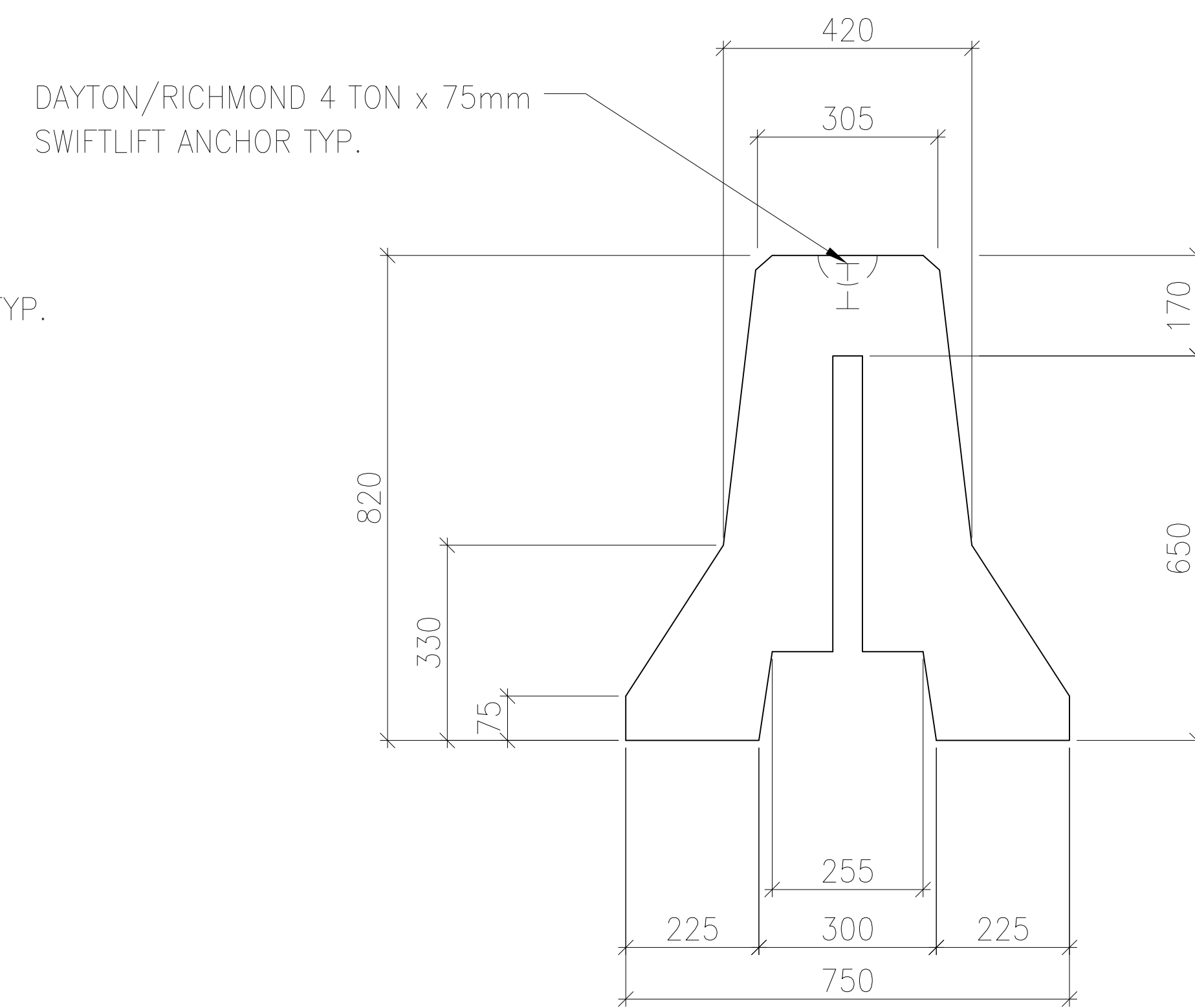


ELEVATION



SIDE

NOTES

GENERAL

1. FOR HANDLING, STORAGE, TRANSPORTATION AND ERECTION PROCEDURES PLEASE REFER TO 'DAYTON/RICHMOND GUIDELINES FOR HANDLING CONCRETE PIPE AND UTILITY PRODUCTS'.
2. APPROXIMATE WEIGHT 2438mm = 2025 kg.
3. TOLERANCE FOR STRUCTURAL ELEMENTS, MATERIALS & CONSTRUCTION CONFORM TO CAN/CSA A23.4 "PRECAST CONCRETE" CLAUSE 10.

DESIGN

1. PRECAST J-J HOOK BARRIERS ARE CERTIFIED NCHRP-350, TEST LEVEL 3, CRASH TESTED.

REINFORCEMENT

1. ALL REINFORCING STEEL SHALL BE GRADE 400W AND CONFORM TO CAN/CSA G30.18 (LATEST EDITION).
2. ALL WELDED WIRE MESH SHALL HAVE A Fy = 485 MPA AND CONFORM TO ASTM A496 and A497.
3. ALL REINFORCING SHALL BE DETAILED, FABRICATED, PLACED AND SUPPORTED IN ACCORDANCE WITH CAN/CSA A23.4 (LATEST EDITION).

CONCRETE

1. CONCRETE MIX DESIGNS SHALL CONFORM TO REQUIREMENTS SET FORTH IN CAN/CSA A23.1 EXPOSURE CLASS C1 WITH THE FOLLOWING CRITERIA:
 - CONCRETE STRENGTH = 20 MPa AT TIME OF STRIPPING
 - DESIGN CONCRETE STRENGTH OF 32 MPa AT 28 DAYS OR TIME OF SHIPPING
 - 5% TO 8% AIR ENTRAINMENT
 - MAXIMUM W/C RATIO = 0.45
 - GALLANT AGGREGATE SHALL BE USED WITH A NOMINAL AGGREGATE SIZE OF 13mm
2. CONCRETE CURING SHALL BE IN CONFORMANCE WITH CAN/CSA A23.1 (LATEST EDITION).
3. SHAW CONCRETE BATCH No. SHALL BE 406.

REV. NO.	REVISION	DATE

SHAW PRECAST/CONCRETE PRODUCTS
 120 HURONTARIO ST. #214
 MISSISSAUGA, ONT. L4V 1P2
 PHONE: 1-800-883-3301
 FAX: 905-881-1275
 WWW.SHBARRIERS.COM
 SHAW@SHBARRIERS.COM

DRAWING NO: **STD-JB305TOPG1**

PROJECT TITLE: **STANDARD PRODUCTS**

PRODUCT CODE: **SPBARRIERS**

DRAWING TITLE: **STANDARD BARRIER
 305mm TOP (12")
 2438 x 750 BARRIER OR
 1219 x 750 BARRIER**

GEOMETRY

DATE MAY 2012	DESIGNED STAFF
DRAWN STAFF	CHECKED STAFF