

NOTES

GENERAL

- FOR HANDLING, STORAGE, TRANSPORTATION AND ERECTION PROCEDURES PLEASE REFER TO "DAYTON/RICHMOND GUIDELINES FOR HANDLING CONCRETE PIPE AND UTILITY PRODUCTS".
- APPROXIMATE WEIGHT 2438mm = 1550 kg.
- TOLERANCE FOR STRUCTURAL ELEMENTS, MATERIALS & CONSTRUCTION CONFORM TO CAN/CSA A23.4 "PRECAST CONCRETE" CLAUSE 10.

DESIGN

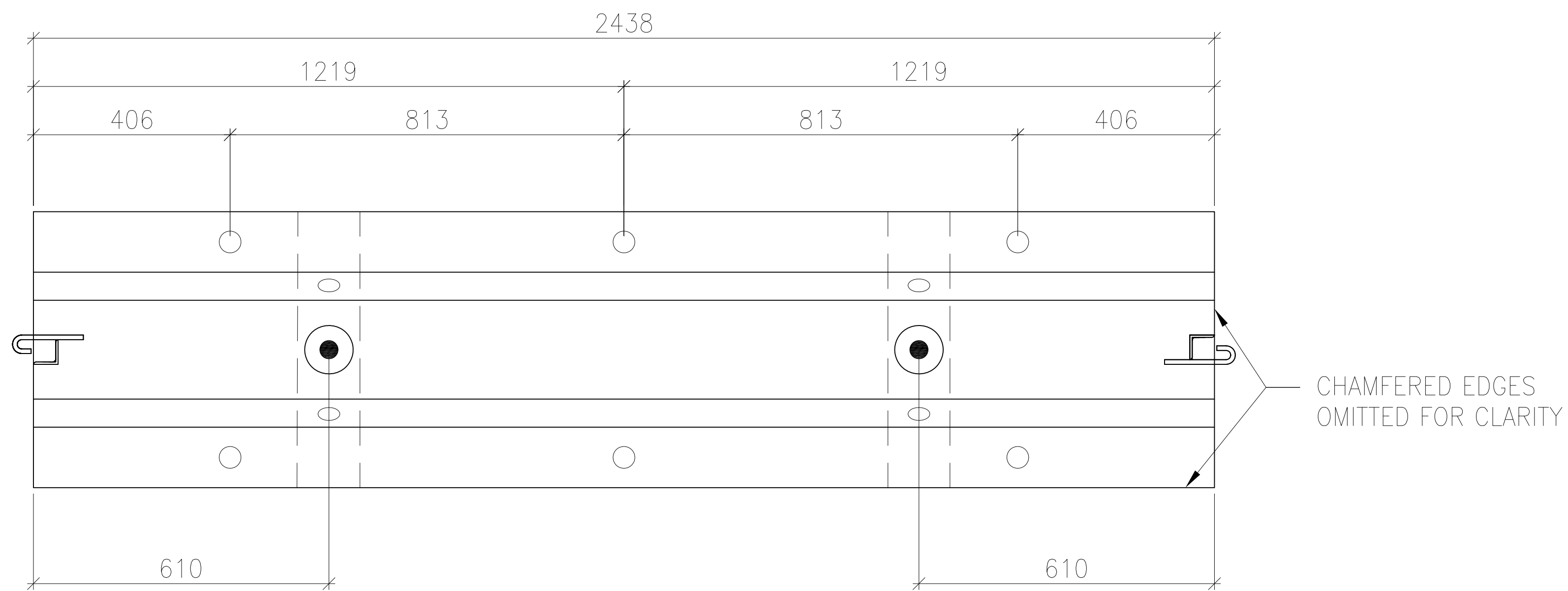
- PRECAST J-J HOOK BARRIERS ARE CERTIFIED NCHRP-350, TEST LEVEL 3, CRASH TESTED.

REINFORCEMENT

- ALL REINFORCING STEEL SHALL BE GRADE 400W AND CONFORM TO CAN/CSA G30.18 (LATEST EDITION).
- ALL WELDED WIRE MESH SHALL HAVE A $f_y = 485$ MPA AND CONFORM TO ASTM A496 AND A497.
- ALL REINFORCING SHALL BE DETAILED, FABRICATED, PLACED AND SUPPORTED IN ACCORDANCE WITH CAN/CSA A23.4 (LATEST EDITION).

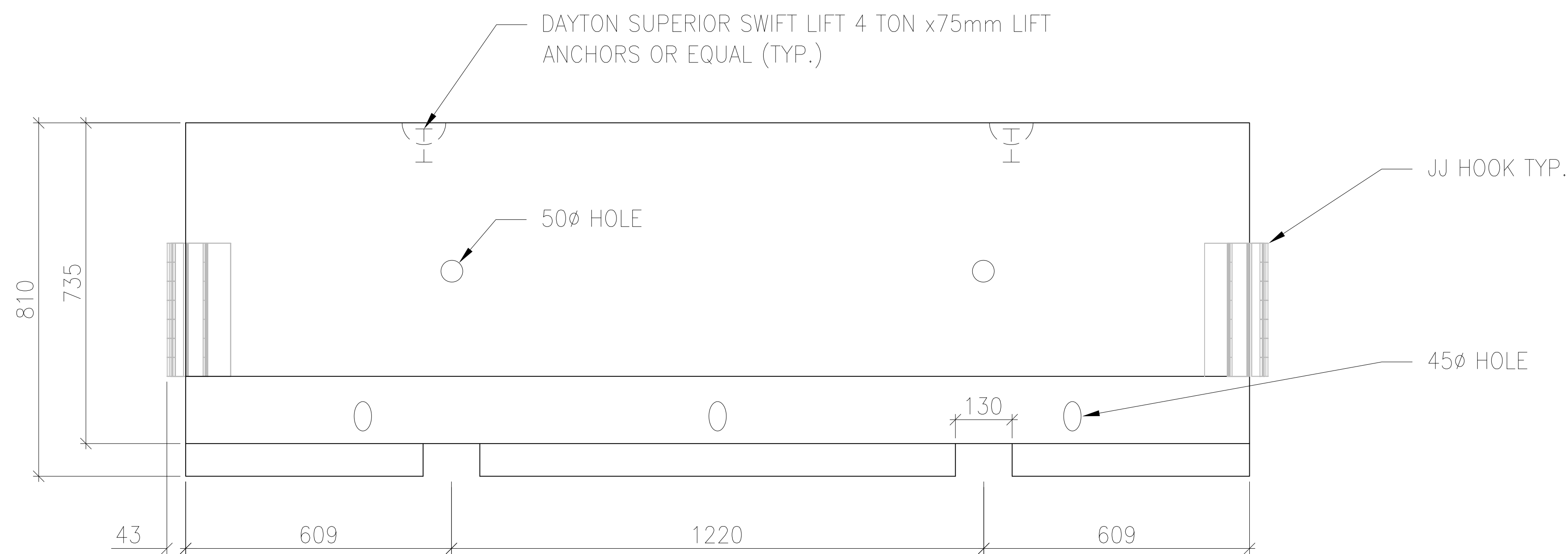
CONCRETE

- CONCRETE MIX DESIGNS SHALL CONFORM TO REQUIREMENTS SET FORTH IN CAN/CSA A23.1 EXPOSURE CLASS C1 WITH THE FOLLOWING CRITERIA:
 - CONCRETE STRENGTH = 20 MPa AT TIME OF STRIPPING
 - DESIGN CONCRETE STRENGTH OF 32 MPa AT 28 DAYS OR TIME OF SHIPPING
 - 5% TO 8% AIR ENTRAINMENT
 - MAXIMUM W/C RATIO = 0.45
 - GALLANT AGGREGATE SHALL BE USED WITH A NOMINAL AGGREGATE SIZE OF 20mm
- CONCRETE CURING SHALL BE IN CONFORMANCE WITH CAN/CSA A23.1 (LATEST EDITION).
- SHAW CONCRETE BATCH No. SHALL BE 406.

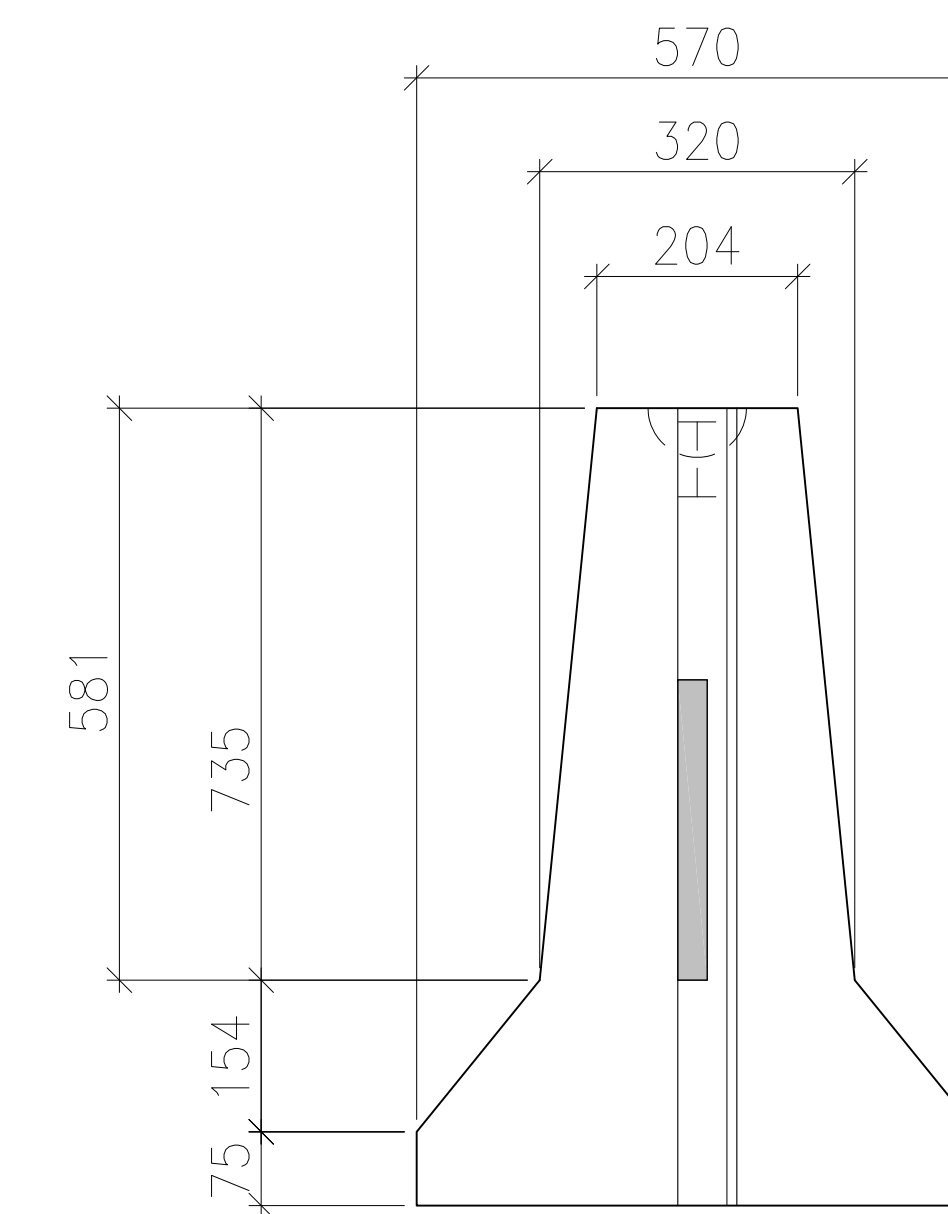


CHAMFERED EDGES OMITTED FOR CLARITY

PLAN



FRONT



SIDE

REV. NO.	REVISION	DATE

SHAW PRECAST CONCRETE PRODUCTS
 1501 HIGHWAY #1
 100-200 2100
 850 2400
 PHONE: 1-800-883-2200
 FAX: 1-800-883-2210
 SHAWTEL: 1-888-777-7429
 www.shawprecast.com
 shaw@shawprecast.com

SPBARRIER3

DRAWING No. **STD-JJBARRIERG**

PROJECT TITLE: **STANDARD PRODUCTS**

PRODUCT CODE: **SPBARRIER3**

DRAWING TITLE: **J-J HOOK BARRIER (F-SHAPED) 2438 x 810 BARRIER OR 1219 x 810 BARRIER**

GEOMETRY

DATE MAY 2012	DESIGNED STAFF
DRAWN STAFF	CHECKED STAFF