



Catchbasins

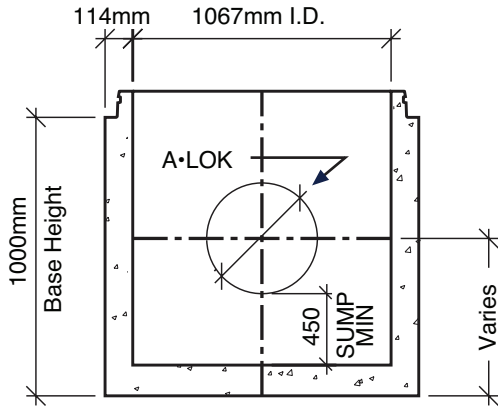
PRODUCT GUIDE & TECHNICAL REFERENCE MANUAL

Providing the right solutions.



STANDARD 1050mm DIAMETER CATCH BASIN BASES

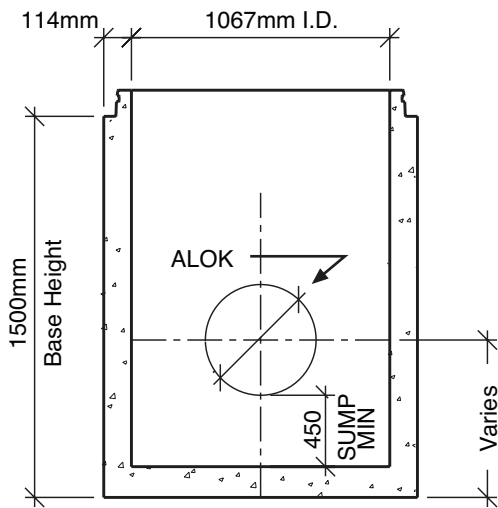
CPB 1000



Available:

- Solid
- A•LOK 285 (200mm PVC)
- A•LOK 350 (250mm PVC)
- A•LOK 410 (300mm PVC)
- A•LOK 535 (300mm RCP)

CPB 1500



Available:

- Solid
- A•LOK 285 (200mm PVC)
- A•LOK 350 (250mm PVC)
- A•LOK 410 (300mm PVC)
- A•LOK 535 (300mm RCP)

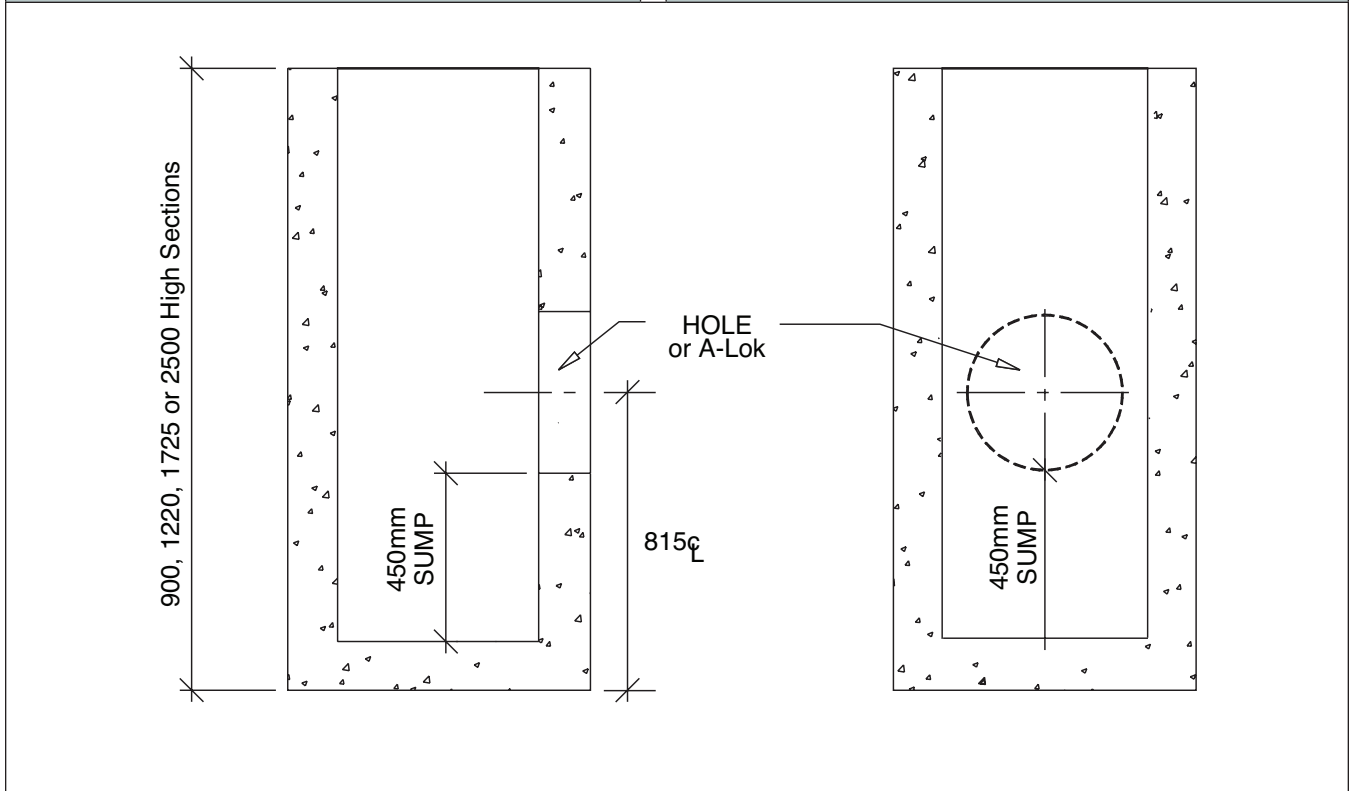
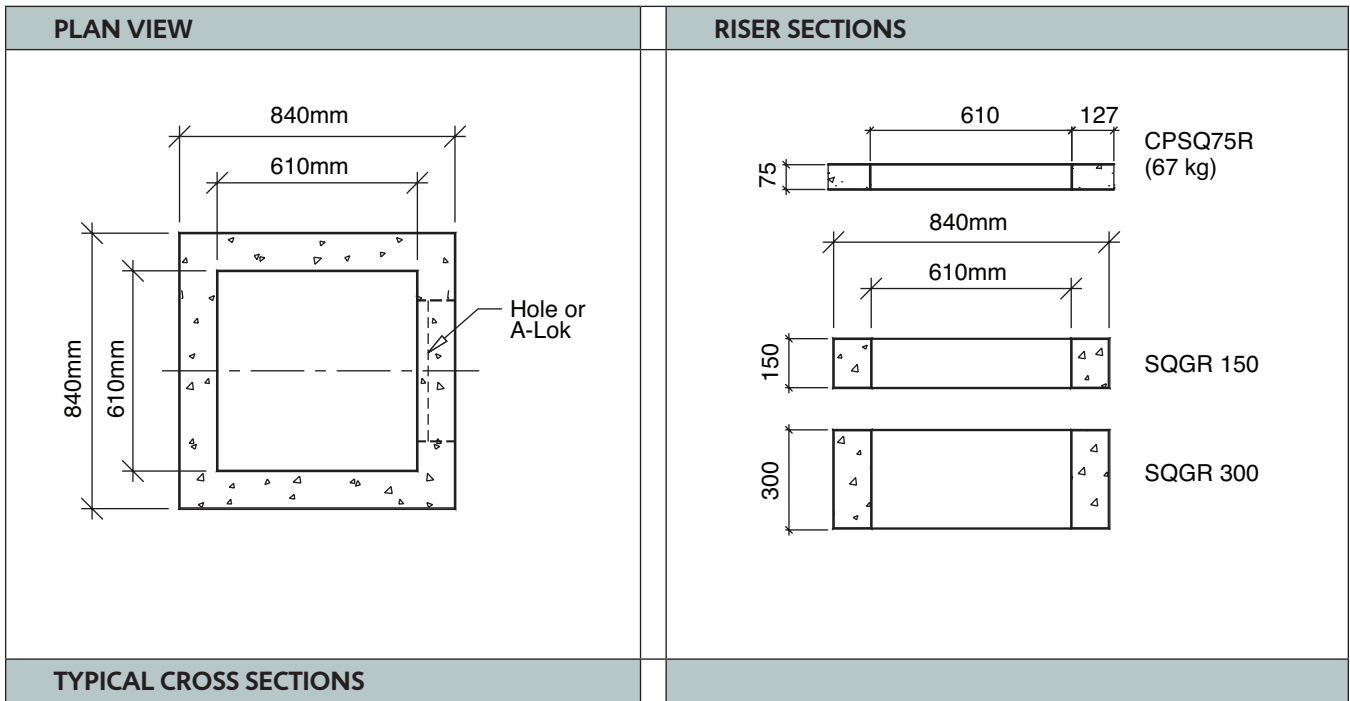
Standard base unit is cast with a bottom and one A•LOK as shown. Optional units without a bottom and other hole configurations are available upon request.

Standard 1050mm diameter shafting may be used to adjust the height of these units if additional height is required.

STANDARD 1050MM DIAMETER CATCH BASIN COVERS

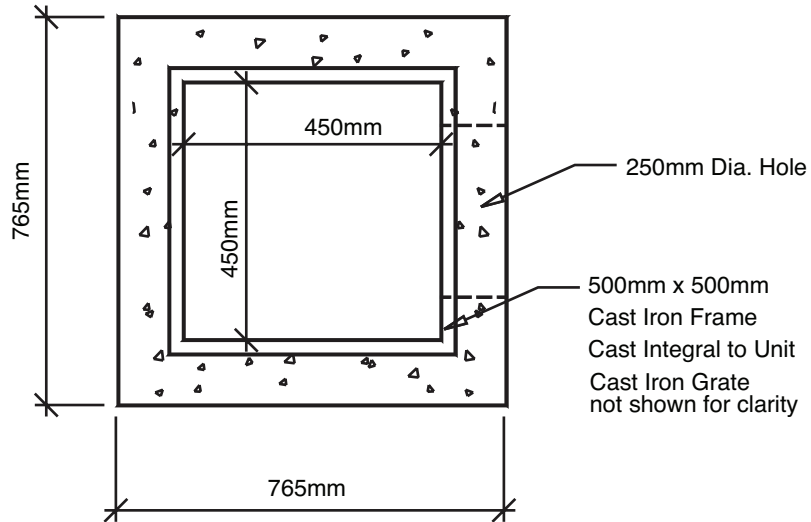
CPC 175	CPC 175D
CPC 450	

STANDARD 600mm SQUARE CATCH PIT

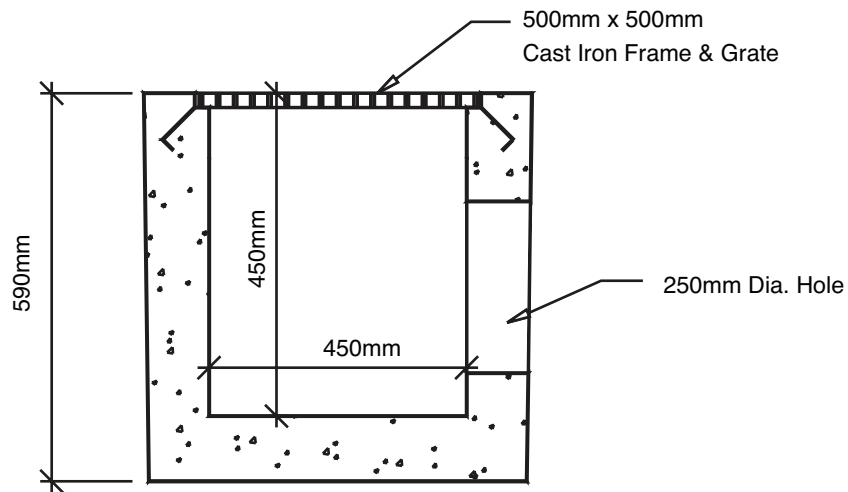


450MM X 450MM SLUICE BOX

PLAN

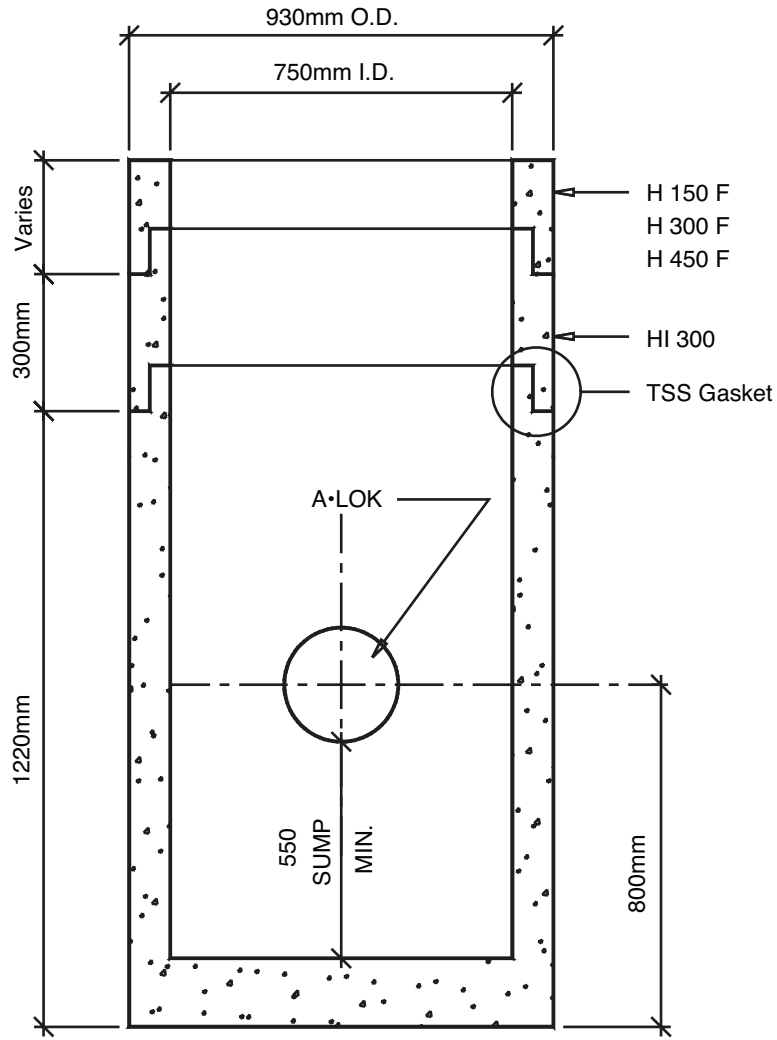


SECTION



Standard unit includes cast iron grate

750mm DIAMETER CATCH BASIN

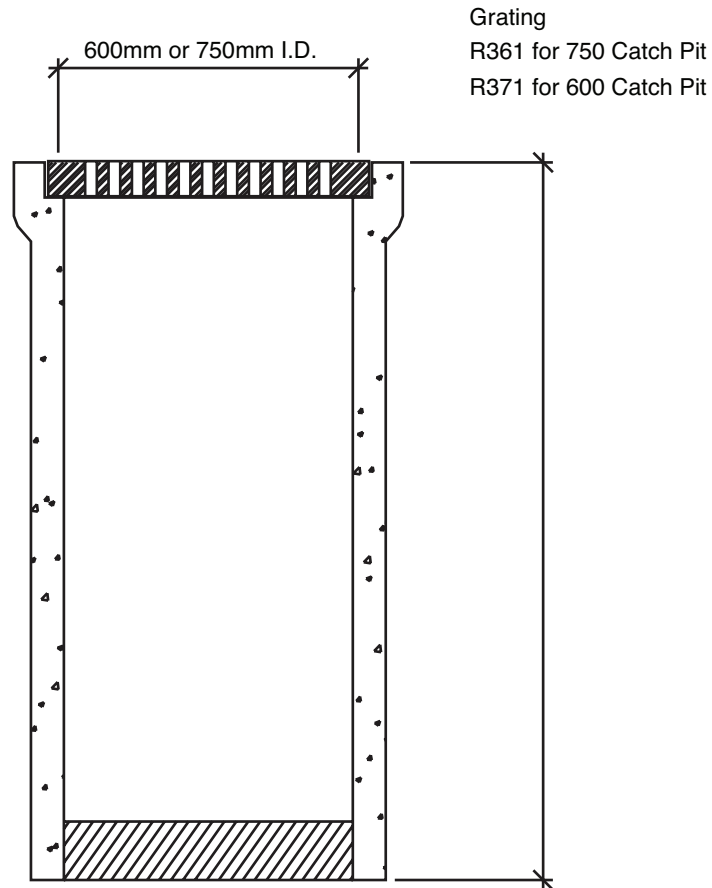


Available:

- Solid
- A•LOK 210 (150mm PVC)
- A•LOK 285 (200mm PVC)
- A•LOK 350 (250mm PVC)
- A•LOK 410 (300mm PVC)

Standard unit available with bottom and one A-LOK.

STANDARD 600MM AND 750MM DIA. CATCH PITS



Standard units are cast without a bottom
Optional units are available with 150mm
bottom slab cast in.

All openings are field cut.

