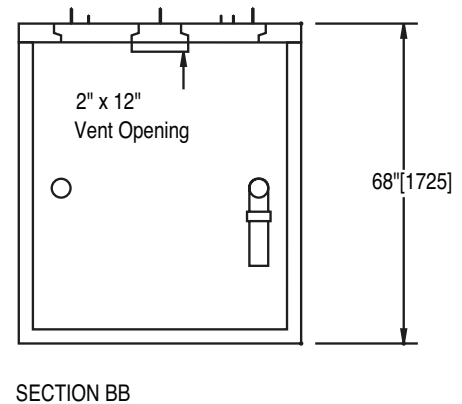
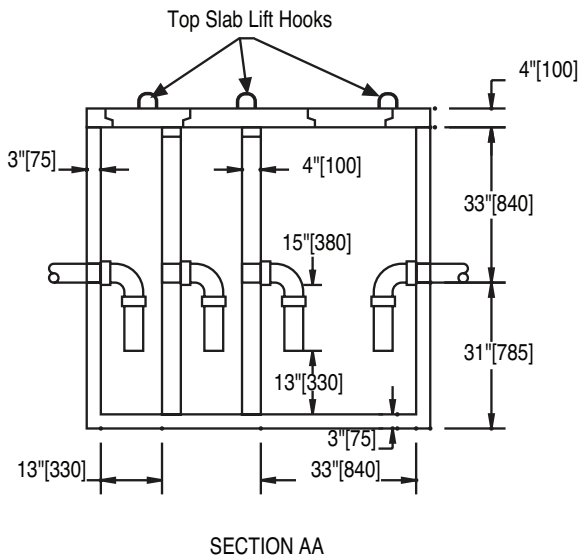
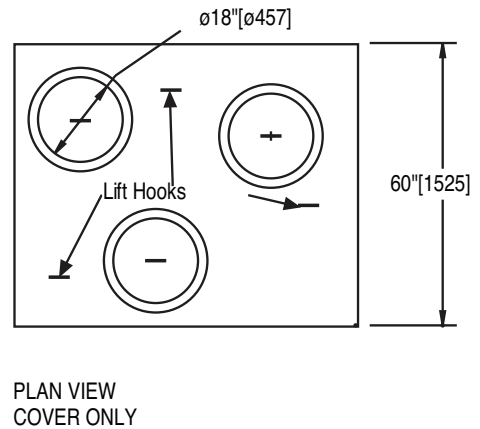
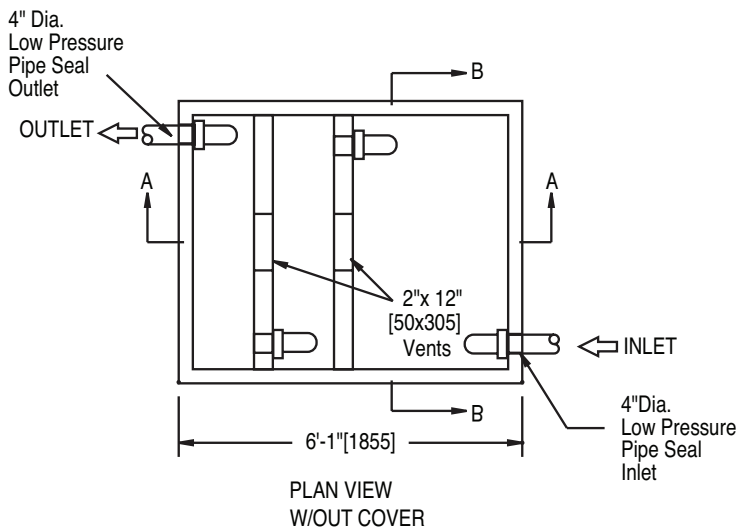




### 3-CELL OIL/GRIT/WATER SEPARATOR



- Specifications:
- Concrete Minimum Strength: 4000 psi [28 MPa] at 28 days
  - Air Entraining: 5 - 7%
  - Steel Reinforcement: #3 [10m] Rebar
  - Construction Joint: Sealed with butyl rope or equivalent
  - Design for earth dead load only.
  - Maximum bury - 5' [1500]

Notes:  
 Pipe & Fittings are 4" PVC/DWV to CSA B182.1 Supplied By GSCP, Installed By Contractor