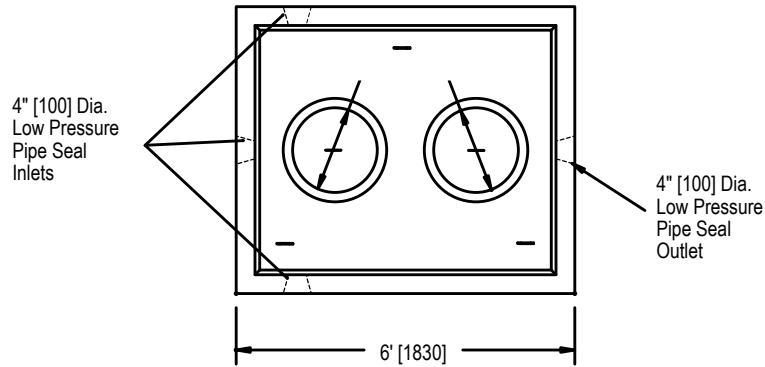


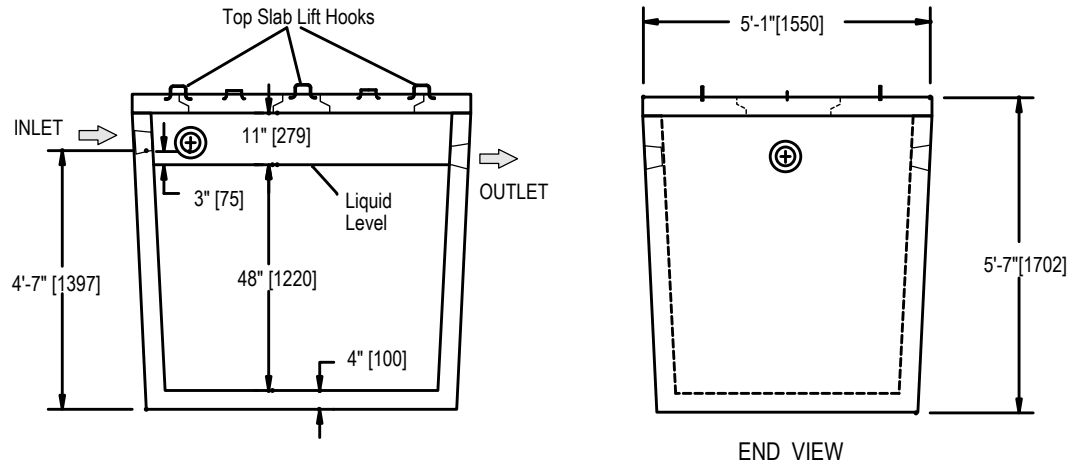
# ▶ SEPTIC TANK 600 Gallon [2725 L] One Piece

## MISCELLANEOUS INFORMATION

### ▶ PLAN VIEW



### ▶ SECTION THRU CENTERLINE



#### ▶ Description:

- Tank 600 Gal 1 Pce - bot
- Tank 600 Gal 1 Pce - cov
- Tank 600 Gal 1 Piece

#### ▶ Item #

- Bottom: 5500
- Cover: 5600
- Both: 5700

#### ▶ Weight lb/kg

- Bottom: 5250/2380
- Cover: 1500/ 680
- Both: 6750/3060

#### ▶ Accessories:

- Risers

#### ▶ Applications:

- SepticTank
- Pump Chamber
- Privie Base
- Pull Box
- Valve Chamber
- GreaseTrap

#### ▶ General Availability:

- Windsor - Special Order
- Port Hastings - Stock

#### Specifications:

- Concrete Minimum Strength: 4640 psi [32 MPa] at 28 days
- Air Entraining: 5 - 8%
- Reinforcement: 10m Rebar & Structural Fibers
- Construction Joint: Sealed with butyl rope or equivalent
- Design for earth dead load only.
- Maximum bury - 2.0m
- Conforms to CAN/CSA-B66-M05

#### Notes:

- Wye and Pipe for Baffles Supplied by GSCP.
- Low Pressure Pipe Seals Accomodate 2", 3", 4" Pipe

#### ▶ Mailing Address

RR# 3  
Windsor NS B0N 2T0

#### ▶ Physical Address

3901 Route 14  
Windsor Forks, Nova Scotia

▶ Phone: 1-902-798-3188

▶ Toll Free: 1-800-565-7000

▶ Fax: 1-902-798-4322

▶ Toll Free: 1-888-767-7001



**SEPTIC TANK**  
**600 Gallon [2725 L] One**  
**Piece**

Project:  
Location:  
Client:  
Dwg. No.: 05700

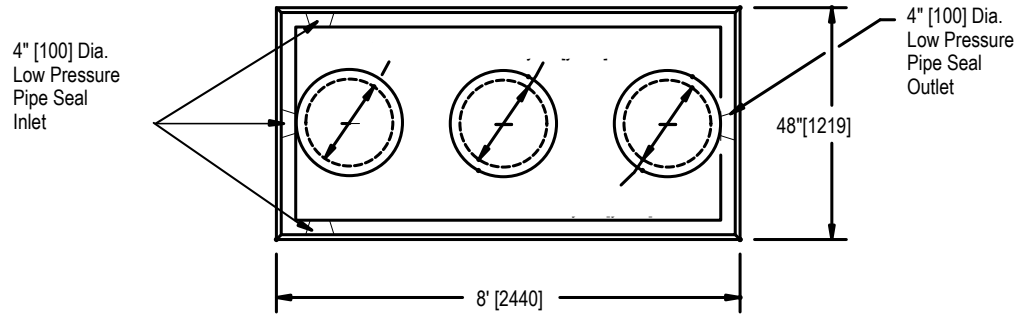
Scale: NTS

Date: FEB/98  
Dwn. By: DGM  
Chk. By:  
Sheet of

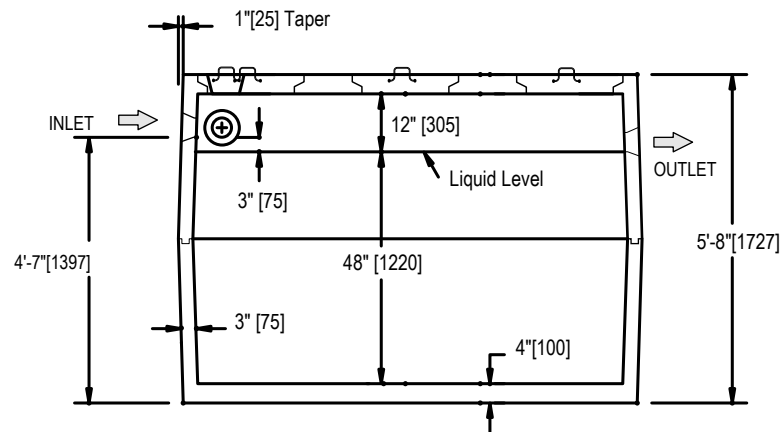
# ▶ SEPTIC TANK 625 Gallon [2800 L]

## MISCELLANEOUS INFORMATION

### ▶ PLAN VIEW



### ▶ SECTION THRU CENTERLINE



#### ▶ Description:

- Top: Tank 625 Gal - top
- Bottom: Tank 625 Gal - bot
- Both: Tank 625 Gallon

#### ▶ Item #

- Top: 6100
- Bottom: 6200
- Both: 6300

#### ▶ Weight lb/kg

- Top: 3740/1696
- Bottom: 3500/1588
- Both: 7240/3284

#### ▶ Accessories:

- Risers

#### ▶ Applications:

- SepticTank
- Pump Chamber
- Privie Base
- Pull Box
- Valve Chamber
- GreaseTrap

#### ▶ General Availability:

- Windsor - Stock
- Port Hastings - Stock

#### ▶ Mailing Address

RR# 3  
Windsor NS B0N 2T0

#### ▶ Physical Address

3901 Route 14  
Windsor Forks, Nova Scotia

▶ Phone: 1-902-798-3188

▶ Toll Free: 1-800-565-7000

▶ Fax: 1-902-798-4322

▶ Toll Free: 1-888-767-7001

#### Specifications:

- Concrete Minimum Strength: 4640 psi [32 MPa] at 28 days
- Air Entraining: 5 - 8%
- Reinforcement: 10m Rebar & Structural Fibers
- Construction Joint: Sealed with butyl rope or equivalent
- Design for earth dead load only.
- Maximum bury - 2.0m
- Conforms to CAN/CSA-B66-M05

#### Notes:

- Wye and Pipe for Baffles Supplied by GSCP.
- Low Pressure Pipe Seals Accomodate 2", 3", 4" Pipe



**SEPTIC TANK**  
**625 Gallon [2800 L]**

Project:  
Location:  
Client:  
Dwg. No.: 06300

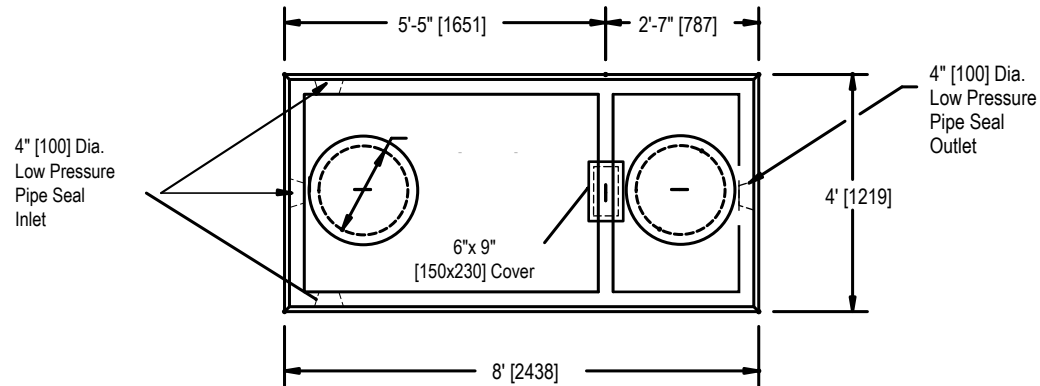
Scale: NTS

Date: MAY/03  
Dwn. By: DGM  
Chk. By:  
Sheet of

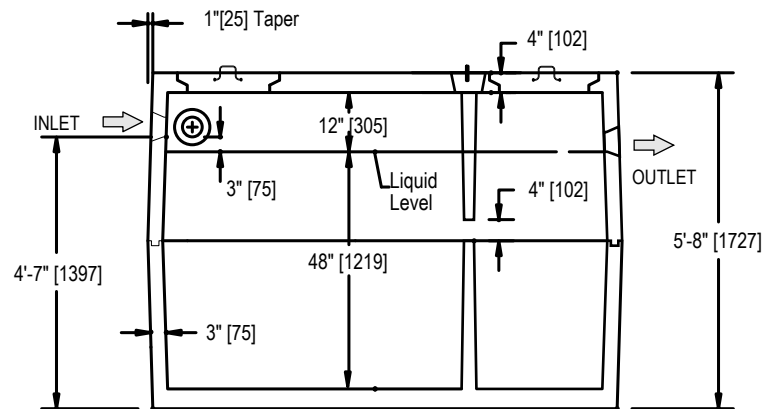
▶ SEPTIC TANK 625 Gallon [2800 L] 2 Compartment

MISCELLANEOUS INFORMATION

▶ PLAN VIEW



▶ SECTION THRU CENTERLINE



▶ Description:

- Top: Tank 625 Gal - top
- Bottom: Tank 625 Gal - bot
- Both: Tank 625 Gallon

▶ Item #

- Top: 6400
- Bottom: 6500
- Both: 6600

▶ Weight lb/kg

- Top: 3740/1696
- Bottom: 3500/1588
- Both: 7240/3284

▶ Accessories:

- Risers

▶ Applications:

- SepticTank
- Privie Base
- Valve Chamber
- GreaseTrap

▶ General Availability:

- Windsor - Stock
- Port Hastings - Stock

▶ Mailing Address

RR# 3  
Windsor NS B0N 2T0

▶ Physical Address

3901 Route 14  
Windsor Forks, Nova Scotia

▶ Phone: 1-902-798-3188

▶ Toll Free: 1-800-565-7000

▶ Fax: 1-902-798-4322

▶ Toll Free: 1-888-767-7001

Specifications:

- Concrete Minimum Strength: 4640 psi [32 MPa] at 28 days
- Air Entraining: 5 - 8%
- Reinforcement: 10m Rebar & Structural Fibers
- Construction Joint: Sealed with butyl rope or equivalent
- Design for earth dead load only.
- Maximum bury - 2.0m
- Conforms to CAN/CSA-B66-M05

Notes:

- Wye and Pipe for Baffles Supplied by GSCP.
- Low Pressure Pipe Seals Accomodate 2", 3", 4" Pipe



SEPTIC TANK  
625 Gallon [2800 L]  
2 Compartment

Project:  
Location:  
Client:  
Dwg. No.: 06600

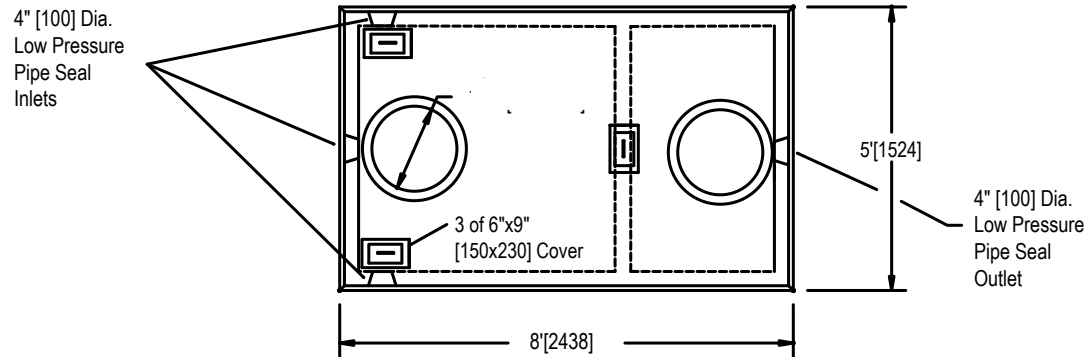
Scale: NTS

Date: MAY/03  
Dwn. By: DGM  
Chk. By:  
Sheet of

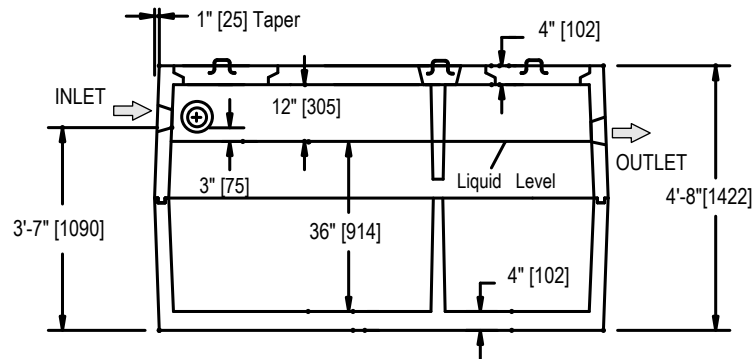
# ▶ SEPTIC TANK 640 Gallon [2875 L] - Low Profile 2 Compartment

## MISCELLANEOUS INFORMATION

### ▶ PLAN VIEW



### ▶ SECTION THRU CENTERLINE



#### ▶ Description:

- Tank 640 Gal LP - top
- Tank 640 Gal LP - bot
- Tank 640 Gal Low Profile

#### ▶ Item #

- Top: 27000
- Bottom: 27100
- Both: 6800

#### ▶ Weight lb/kg

- Top: 4060/1842
- Bottom: 3140/1424
- Both: 7200/3266

#### ▶ Accessories:

- Risers

#### ▶ Applications:

- SepticTank
- Pump Chamber
- Privie Base
- Pull Box
- Valve Chamber
- GreaseTrap

#### ▶ General Availability:

- Windsor - Stock
- Port Hastings - Special Order

#### ▶ Mailing Address

RR# 3  
Windsor NS B0N 2T0

#### ▶ Physical Address

3901 Route 14  
Windsor Forks, Nova Scotia

▶ Phone: 1-902-798-3188

▶ Toll Free: 1-800-565-7000

▶ Fax: 1-902-798-4322

▶ Toll Free: 1-888-767-7001

#### Specifications:

- Concrete Minimum Strength: 4640 psi [32 MPa] at 28 days
- Air Entraining: 5 - 8%
- Reinforcement: 10m Rebar & Structural Fibers
- Construction Joint: Sealed with butyl rope or equivalent
- Design for earth dead load only.
- Maximum bury - 2.0m
- Conforms to CAN/CSA-B66-M05

#### Notes:

- Wye and Pipe for Baffles Supplied by GSCP.
- Low Pressure Pipe Seals Accomodate 2", 3", 4" Pipe



**SEPTIC TANK**  
**640 Gallon [2875 L]**  
Low Profile 2 Compartment

Project:  
Location:  
Client:  
Dwg. No.: 06950

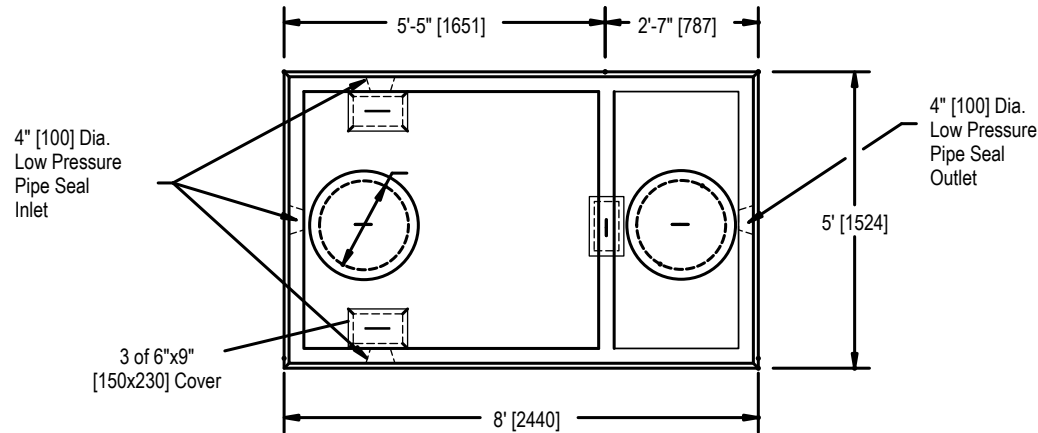
Scale: NTS

Date: MAY/03  
Dwn. By: DGM  
Chk. By:  
Sheet of

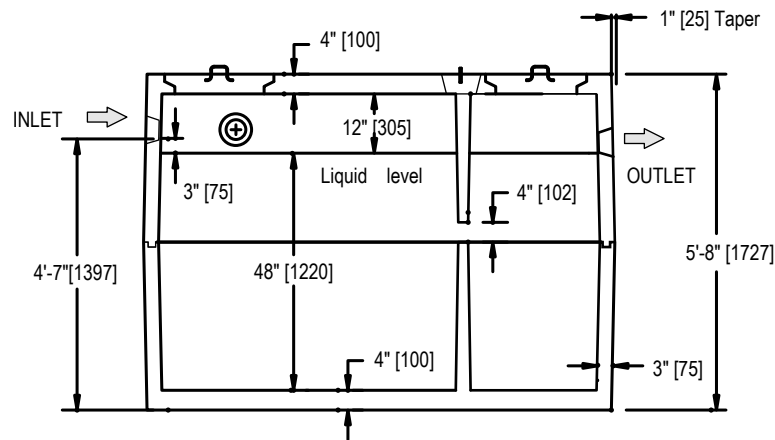
▶ SEPTIC TANK 845 Gallon [3800 L] - 2 Compartment

MISCELLANEOUS INFORMATION

▶ PLAN VIEW



▶ SECTION THRU CENTERLINE



- ▶ **Description:**
- Tank 845 Gal 2 compt - top
  - Tank 845 Gal 2 compt - bot
  - Tank 845 Gal 2 compartment

- ▶ **Item #**
- Top: 8400
  - Bottom: 8500
  - Both: 8600

- ▶ **Weight lb/kg**
- Top: 4525/2050
  - Bottom: 3950/1790
  - Both: 8475/3840

- ▶ **Accessories:**
- Risers

- ▶ **Applications:**
- SepticTank
  - Privie Base
  - Valve Chamber
  - GreaseTrap

- ▶ **General Availability:**
- Windsor - Stock
  - Port Hastings - Special Order

- ▶ **Mailing Address**
- RR# 3  
Windsor NS B0N 2T0

- ▶ **Physical Address**
- 3901 Route 14  
Windsor Forks, Nova Scotia

- ▶ **Phone:** 1-902-798-3188

- ▶ **Toll Free:** 1-800-565-7000

- ▶ **Fax:** 1-902-798-4322

- ▶ **Toll Free:** 1-888-767-7001

**Specifications:**

- Concrete Minimum Strength: 4640 psi [32 MPa] at 28 days
- Air Entraining: 5 - 8%
- Reinforcement: 10m Rebar & Structural Fibers
- Construction Joint: Sealed with butyl rope or equivalent
- Design for earth dead load only.
- Maximum bury - 2.0m
- Conforms to CAN/CSA-B66-M05

**Notes:**

- Wye and Pipe for Baffles Supplied by GSCP.
- Low Pressure Pipe Seals Accomodate 2", 3", 4" Pipe



**SEPTIC TANK**  
**845 Gallon [3800 L]**  
**2 Compartment**

Project:  
Location:  
Client:  
Dwg. No.: 08600

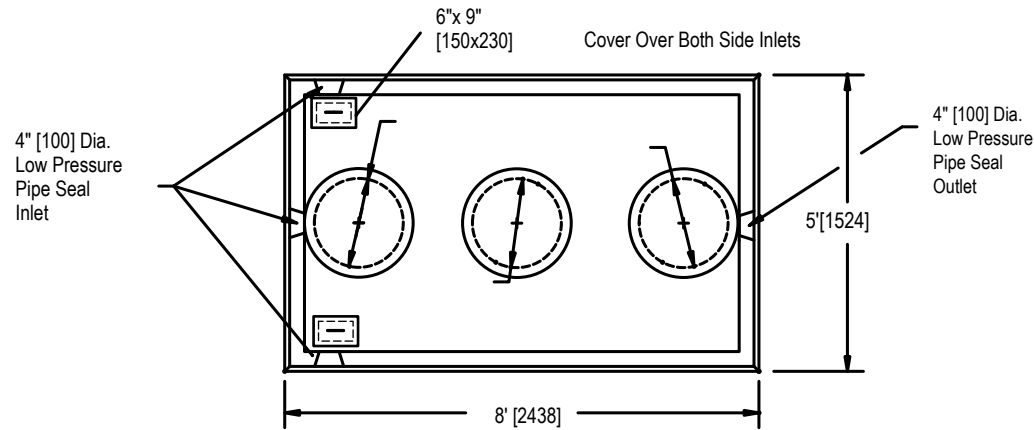
Scale: NTS

Date: MAY/03  
Dwn. By: DGM  
Chk. By:  
Sheet of

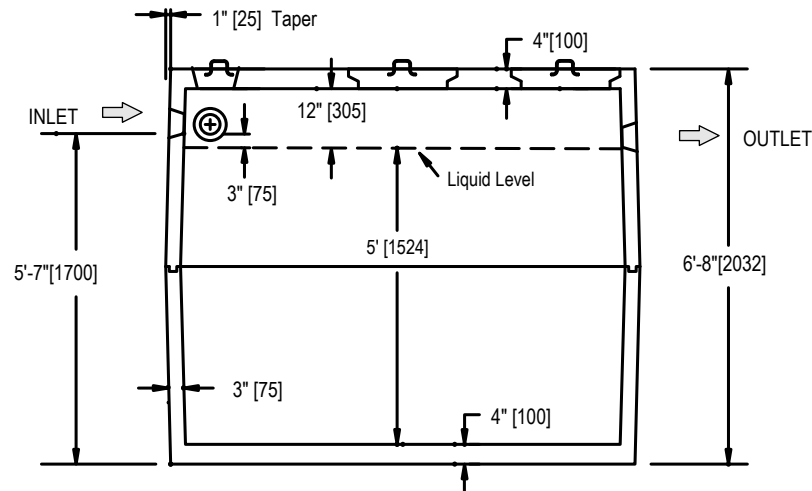
▶ SEPTIC TANK 1056 Gallon [4750 L]

MISCELLANEOUS INFORMATION

▶ PLAN VIEW



▶ SECTION THRU CENTERLINE



▶ Description:

- Top: Tank 1056 Gal - top
- Bottom: Tank 1056 Gal - bot
- Both: Tank 1056 Gallon

▶ Item #

- Top: 10100
- Bottom: 10200
- Both: 10300

▶ Weight lb/kg

- Top: 4950/2245
- Bottom: 4475/2030
- Both: 9425/4275

▶ Accessories:

- Risers

▶ Applications:

- Septic Tank
- Pump Chamber
- Privie Base
- Pull Box
- Valve Chamber
- Grease Trap

▶ General Availability:

- Windsor - Stock
- Port Hastings - Stock

▶ Mailing Address

RR# 3  
Windsor NS B0N 2T0

▶ Physical Address

3901 Route 14  
Windsor Forks, Nova Scotia

▶ Phone: 1-902-798-3188

▶ Toll Free: 1-800-565-7000

▶ Fax: 1-902-798-4322

▶ Toll Free: 1-888-767-7001

Specifications:

- Concrete Minimum Strength: 4640 psi [32 MPa] at 28 days
- Air Entraining: 5 - 8%
- Reinforcement: 10m Rebar & Structural Fibers
- Construction Joint: Sealed with butyl rope or equivalent
- Design for earth dead load only.
- Maximum bury - 2.0m
- Conforms to CAN/CSA-B66-M05

Notes:

- Wye and Pipe for Baffles Supplied by GSCP.
- Low Pressure Pipe Seals Accomodate 2", 3", 4" Pipe



SEPTIC TANK  
1056 Gallon [4750 L]

Project:  
Location:  
Client:  
Dwg. No.: 10300

Scale: NTS

Date: MAY/03  
Dwn. By: DGM  
Chk. By:  
Sheet of